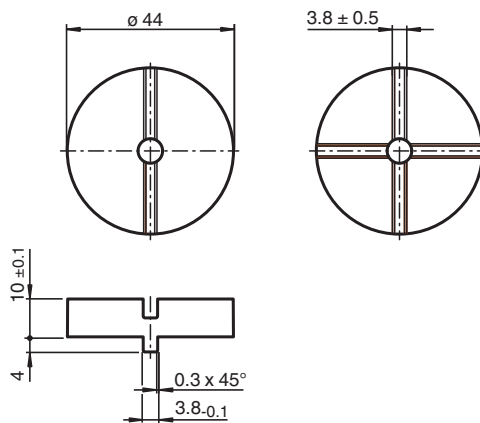


Distance disc MH-BT65-SD-01

- Stainless steel spacer
- Suitable for Actuator BT65.../BT115...
- Robust and dedicated for high torques
- Simple and fast mounting

Distance disc

Dimensions







Technical Data

Mechanical specifications

Material	Stainless steel 1.4305 / AISI 303
Mass	110 g

Matching System Components

	BT65A	Activator for F31 series
	BT65B	Activator for F31 series
	BT65-F31-RG-EN	Activator for F31 and F31K series including protective housing
	BT115A	Activator for F31 series

Release date: 2021-05-18 Date of issue: 2021-05-18 Filename: 70115415_eng.pdf