

Cable pull rotary encoder

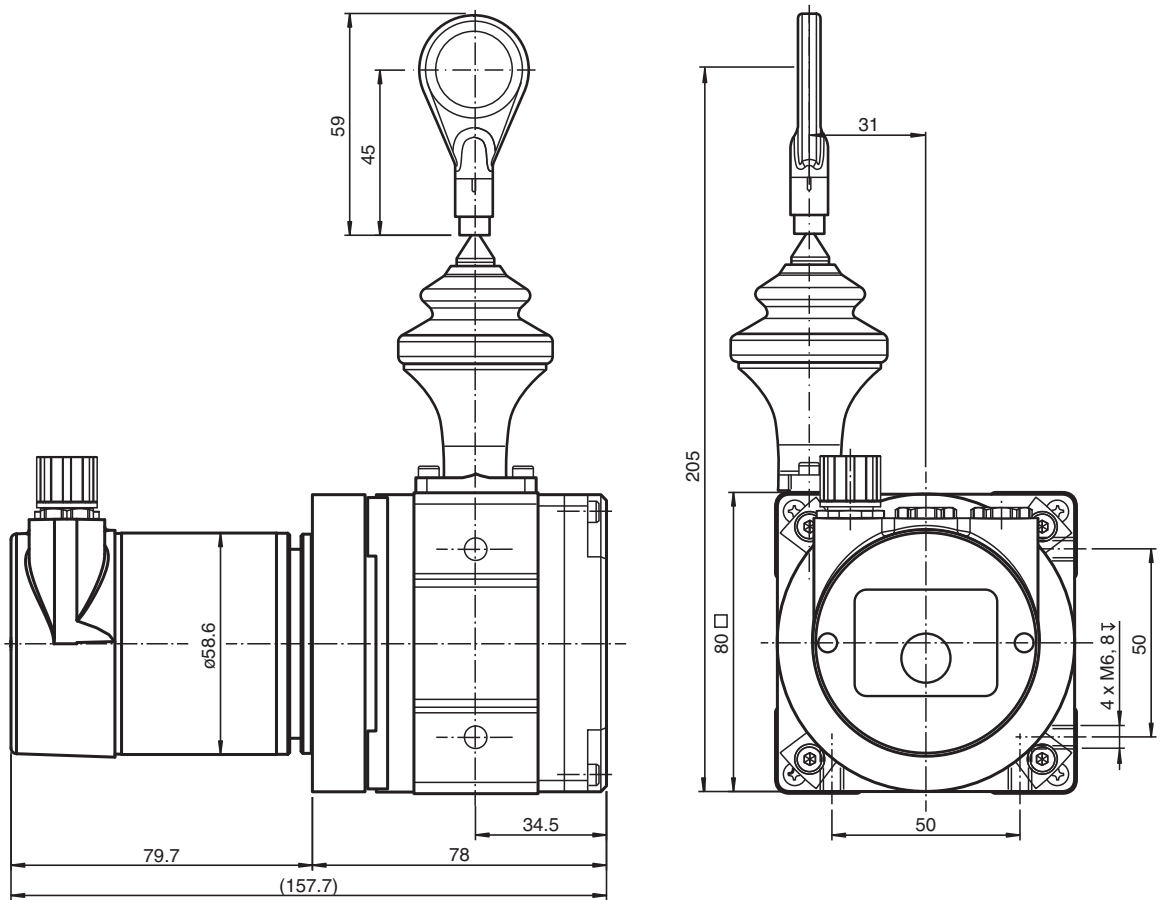
ECA21IL-02A1A-B16AN:OE1212

- Robust aluminum drum housing
- Bellows with steel tip
- Rust and acid-resistant measuring cable
- Resolution: 12 singleturn, 12 bit multiturn

Cable pull rotary encoder with CANopen interface



Dimensions



Technical Data

General specifications

Detection type	photoelectric sampling
Device type	Industrial Line with CANopen interface
Measuring range	2000 mm
Construction type	80 mm
Resolution	Cable pull: Design 80 mm: 0.049 mm Encoder: 24 bit (12 bit/revolution)

Release date: 2022-04-08 Date of issue: 2022-12-12 Filename: 70115513_eng.pdf

Technical Data

Electrical specifications		
Operating voltage	U_B	10 ... 30 V DC
No-load supply current	I_0	≥ 350 mA
Interface		
Interface type		CANopen
Resolution		
Single turn		12 Bit
Multiturn		12 Bit
Overall resolution		24 Bit
Transfer rate		max. 1 MBit/s
Standard conformity		communication profile: DS 301 Device profiles: DS 406 and DS 417 , programmable according to class 2
Connection		
Connector		M12 connector, 5 pin , A-coded
Standard conformity		
Degree of protection		acc. DIN EN 60529
Connection side		Encoder: IP65 Cable pull: IP64
Climatic testing		DIN EN 60068-2-3, no moisture condensation
Emitted interference		EN 61000-6-4:2007
Noise immunity		EN 61000-6-2:2005
Ambient conditions		
Ambient temperature		-30 ... 70 °C (-22 ... 158 °F)
Storage temperature		-30 ... 70 °C (-22 ... 158 °F)
Relative humidity		98 % , no moisture condensation
Mechanical specifications		
Rope diameter		0.54 mm
Drum perimeter		200 mm
Retraction speed		4 m/s
Spring retraction force		8 ... 14 N
Material		
Housing		aluminum, coated
Cable pull		anodized aluminum
Flange		anodized aluminum
Rope		Stainless steel 1.4401/316
Mass		1900 g
Life span		up to 10 ⁶ Cycles

Connection

Signal	5-pin, M12 x 1 connector
CAN GND	1
+V _s	2
GND	3
CAN-High	4
CAN-Low	5
Shielding	Housing
Pinout	