

# Male connector, field-attachable

## V31S-WM-BK

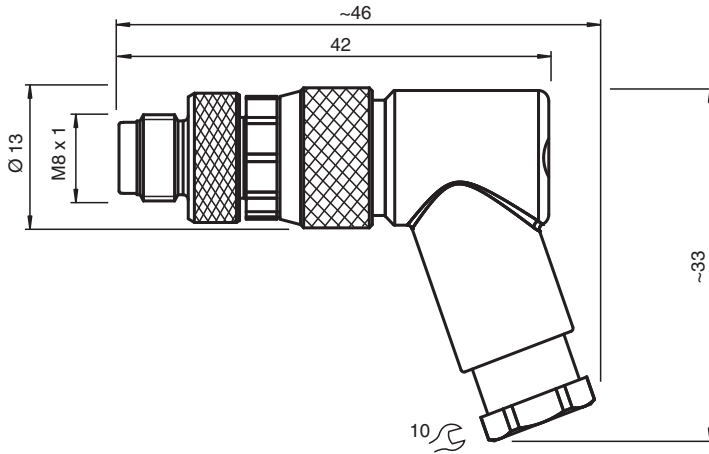


- Screw terminal connection
- Metal locking
- UL Recognized Component

Male connector M8 angled A-coded 4-pin, for cable diameter 3,5 - 5 mm, field-attachable



### Dimensions



### Technical Data

#### General specifications

Connector 1	
Connection	plug
Construction type	M8
Style	angled
Locking	screw connection
Number of pins	4
Coding	A-coded
Customization	Coding rotateable in steps of 180°

#### Electrical specifications

Operating voltage	$U_B$	max. 30 V AC/DC
Operating current	$I_B$	max. 4 A

#### Conformity

Degree of protection	EN 60529
Plug connection	connector M8 x 1 : IEC 61076-2-104

#### Approvals and certificates

UL File Number	E363587
----------------	---------

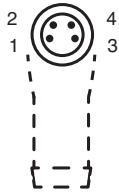
#### Ambient conditions

Release date: 2024-06-03 Date of issue: 2024-06-08 Filename: 70116193\_eng.pdf

## Technical Data

Ambient temperature	-40 ... 85 °C (-40 ... 185 °F)
Pollution degree	3
<b>Mechanical specifications</b>	
Plug connector	
Tightening torque	0.5 Nm
Tool installation	cross-hatched knurling
Mating cycles	min. 100
Degree of protection	IP67
Connection	screw terminals for 0.14 ... 0.5 mm <sup>2</sup> / AWG 26 ... AWG 20
Cable	
Sheath diameter	3.5 ... 5 mm
Core cross section	0.5 mm <sup>2</sup> / 20 AWG max.
Installation	screw terminals 0.4 Nm pressure nut 0.2 ... 0.3 Nm
Mass	11.63 g
<b>Material</b>	
Plug connector	
Screw connection	CuZn, nickel-plated
Body	PBT, black
Contact surface	gold plated (Au)

## Connection Assignment



## Connection

