

RFID Transponder

IPC03-16GK 10pcs

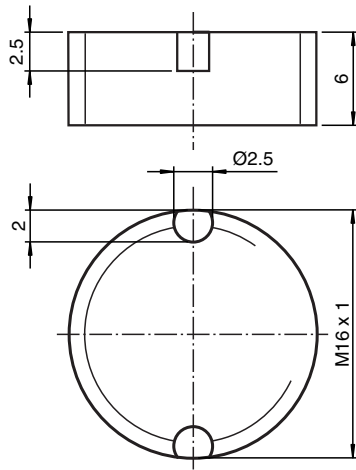


- Battery-free data carrier
- 32 bit fixcode
- 928 bits memory available
- Flush mounting in metal
- Degree of protection IP67

Data carrier



Dimensions



Technical Data

| General specifications | |
|-----------------------------|-----------------------------------|
| Operating frequency | 125 kHz |
| Transfer rate | 2 kBit/s |
| Memory | |
| Chip Type | EM4450 Titan (EM Microelectronic) |
| EEPROM | 928 Bit |
| Read cycles | unlimited |
| Write cycles | > 100000 |
| Data retention period | 10 years at 55 °C (131 °F) |
| Directive conformity | |
| Radio equipment | |
| Directive 2014/53/EU | EN 300330 |
| RoHS | |
| Directive 2011/65/EU (RoHS) | IEC/EN 63000 |
| Standard conformity | |
| Degree of protection | EN 60529 |
| RFID | ISO/IEC 18000-2 |

Release date: 2022-12-15 Date of issue: 2022-12-15 Filename: 70117778_eng.pdf

Technical Data

Ambient conditions

| | |
|---------------------|--------------------------------|
| Ambient temperature | -25 ... 70 °C (-13 ... 158 °F) |
| Storage temperature | -40 ... 85 °C (-40 ... 185 °F) |

Mechanical specifications

| | |
|------------------------|--------------------|
| Housing height | 6 mm |
| Housing diameter | 16 mm |
| Degree of protection | IP67 |
| Material | |
| Housing | PBT |
| Encapsulation compound | Polyurethane (PUR) |

Installation

| | |
|----------|-----|
| In metal | yes |
| On metal | yes |
| In air | yes |

| | |
|------|-----|
| Mass | 3 g |
|------|-----|

| | |
|-------------------|-------------|
| Construction type | Cylindrical |
|-------------------|-------------|

| | |
|------|--------------------------|
| Note | Packaging unit, 10-piece |
|------|--------------------------|

Mounting

The surface containing the text must face the read/write head.