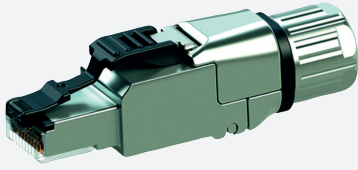


# Male connector, field-attachable V45-G-ABG

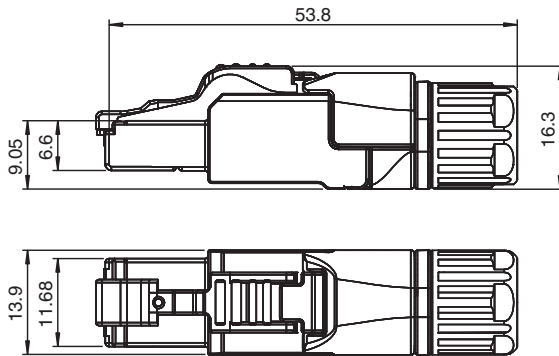


- Suitable for Gigabit Ethernet
- Field-attachable
- Sturdy metallic housing
- All-round shielding (360°) for full EMC protection
- Insulation displacement connection
- Immunity to vibration, with mechanical latching

Male connector RJ45 straight 8-pin, Cat6A, shielded, field-attachable, insulation displacement connection



## Dimensions



## Technical Data

| General specifications    |       |  |  |
|---------------------------|-------|--|--|
| Connector 1               |       |  |  |
| Connection                |       | plug   |  |
| Construction type         |       | RJ45   |  |
| Style                     |       | straight   |  |
| Locking                   |       | snap locking                                       |  |
| Number of pins            |       | 8  |  |
| Electrical specifications |       |  |  |
| Operating voltage         | $U_B$ | max. 50 V AC / 60 V DC                             |  |
| Operating current         | $I_B$ | max. 1 A   |  |
| Contact resistance        |       | max. 20 m $\Omega$                                 |  |
| Insulation resistance     |       | min. 500 M $\Omega$                                |  |
| Conformity                |       |  |  |
| Degree of protection      |       | EN 60529   |  |
| Fieldbus standard         |       | IEEE 802.3an 10GBASE-T                             |  |
| Transmission technology   |       | suitable for PoE+ Power over Ethernet IEEE 802.3at |  |
| Plug connection           |       | connector RJ45 : IEC 60603-7-51                    |  |

Release date: 2024-05-17 Date of issue: 2024-05-17 Filename: 70118036\_eng.pdf

## Technical Data

|                                  |                                |   |
|----------------------------------|--------------------------------|---|
| Component category               | CAT6A (IEC 11801, EN 50173)    |   |
| <b>Ambient conditions</b>        |                                |   |
| Ambient temperature              | -40 ... 85 °C (-40 ... 185 °F) |   |
| <b>Mechanical specifications</b> |                                |   |
| Plug connector                   |                                |   |
| Loosening protection             |                                | available   |
| Mating cycles                    |                                | min. 750  |
| Shielding                        |                                | via Body  |
| Degree of protection             |                                | IP20  |
| Connection                       |                                | Wire manager included with delivery   |
| Cable                            |                                |   |
| Sheath diameter                  |                                | 5.5 ... 10 mm   |
| Core cross section               |                                | solid: 0.25 ... 0.34 mm <sup>2</sup> (24 ... 22/1 AWG)<br>stranded: 0.10 ... 0.34 mm <sup>2</sup> (27 ... 22/7 AWG) |
| Mass                             |                                | 35.59 g   |
| <b>Material</b>                  |                                |   |
| Plug connector                   |                                |   |
| Body                             |                                | Zinc diecast, nickel-plated   |
| Contact surface                  |                                | Au / Ni   |

## Connection Assignment

