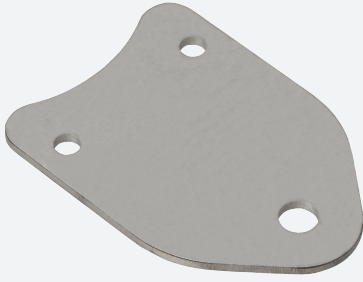
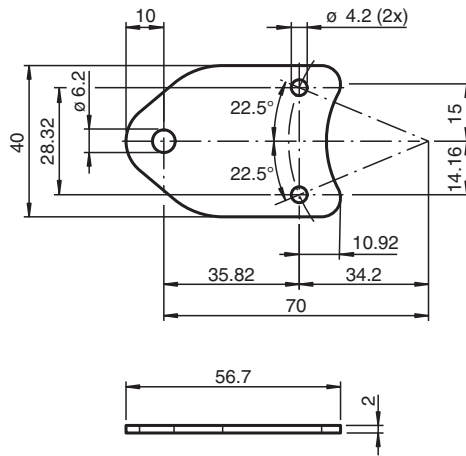


# support plate ACC-TOR-ENI90HD-070



Support plate 70 mm, straight

## Dimensions



## Technical Data

### Mechanical specifications

Material: Stainless steel 1.4571 / AISI 316Ti

### General information

Scope of delivery: 1 Support plate 70 mm, straight  
2 x washer M4 (ISO 7089)  
2 x hexagon head screw M4 x 8 (ISO 4017)