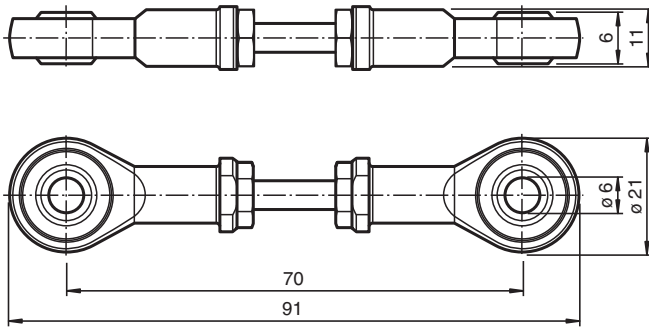


swivel arm ACC-ROD-ENI90HD-070



swivel arm, 70 mm

Dimensions



Technical Data

General information

Scope of delivery

1 swivel arm, 70 mm
1 hexagon head screw M6 x 25 (ISO 4017)
1 hexagon nut M6 (ISO 7040)
4 x washer M6 (ISO 7089)
2 x Spacer