



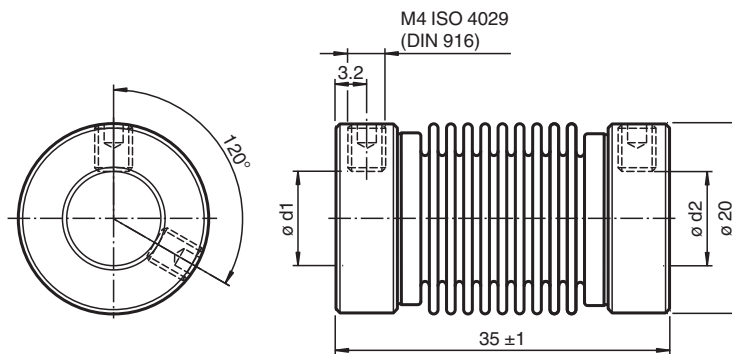
## Coupling

### ACC-CBL-3520242-1212

- Backlash-free, angle synchronous rotation transmission
- Optimal misalignment compensation
- Very high torsion spring stiffness
- Small reset forces
- Vibration-isolating
- Bellows and screws made of stainless steel

Stainless steel bellows coupling

## Dimensions



## Technical Data

### Ambient conditions

Operating temperature -30 ... 120 °C (-22 ... 248 °F)

### Mechanical specifications

Shaft diameter	d1 = 12 mm , d2 = 12 mm
Material	Stainless steel 1.4404 / AISI 316L
Mass	33 g
Rotational speed	max. 10000 min
Max. torque	1 Nm
Radial offset	max. $\pm 0.3$ mm
Axial offset	max. $\pm 0.5$ mm
Angle error	max. $\pm 4^\circ$
Torsion spring stiffness	140 Nm / rad
Radial spring stiffness	10 N / mm
Moment of inertia	20 g cm <sup>2</sup>
Mounting	clamp screws , M4 DIN 916
Tightening torque of clamping screws	max. 0.7 Nm

Release date: 2023-01-17 Date of issue: 2023-01-17 Filename: 70120104-100020\_eng.pdf