



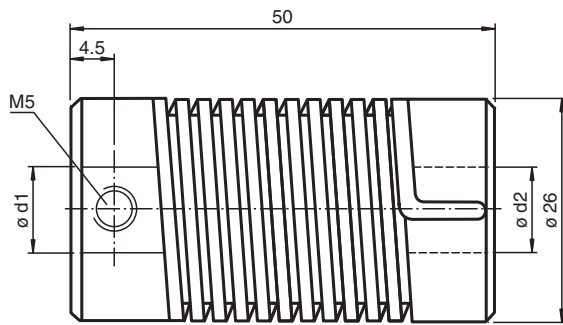
# Coupling

## ACC-CSP-50262S1-1010

- Universally suitable for backlash-free rotation transmission
- Highly vibration-isolating
- Well misalignment compensation
- Low torsion spring stiffness
- Small reset forces
- No movable parts
- Very rugged construction

Spring steel coupling with length 50 mm, for shaft diameter  $d_1 = 10$  mm,  $d_2 = 10$  mm

### Dimensions



### Technical Data

<b>Ambient conditions</b>	
Operating temperature	-40 ... 150 °C (-40 ... 302 °F)
<b>Mechanical specifications</b>	
Shaft diameter	$d_1 = 10$ mm , $d_2 = 10$ mm
Material	
Spring	spring steel (1.1200), nickel plated
End piece	Stainless steel 1.4305 / AISI 303
Mass	130 g
Rotational speed	max. 3000 min
Max. torque	1.5 Nm
Tightening torque, fastening screws	1.2 Nm
Radial offset	max. $\pm 1.5$ mm
Axial offset	max. $\pm 1$ mm
Angle error	max. $\pm 5^\circ$
Torsion angle	at torque 0.75 Nm drive shaft view
CW rotation direction	$40^\circ$
CCW rotation direction	$60^\circ$

Release date: 2024-09-11 Date of issue: 2024-09-11 Filename: 70120104-100026\_eng.pdf

**Technical Data**

Moment of inertia	129 kg m <sup>2</sup> x 10 <sup>-7</sup>
Mounting	clamp screws M5 x 6, DIN 916
Tightening torque of clamping screws	max. 3 Nm