



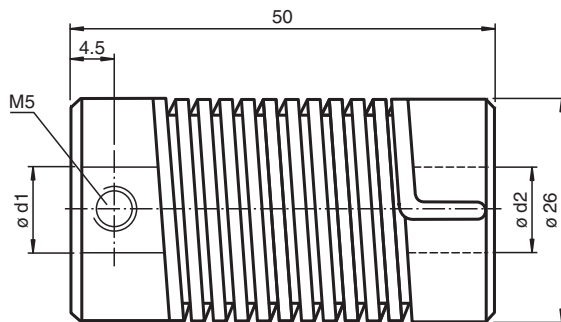
Coupling

ACC-CSP-50262S1-1212

- Universally suitable for backlash-free rotation transmission
- Highly vibration-isolating
- Well misalignment compensation
- Low torsion spring stiffness
- Small reset forces
- No movable parts
- Very rugged construction

Spring steel coupling with length 50 mm, for shaft diameter $d_1 = 12$ mm, $d_2 = 12$ mm

Dimensions



Technical Data

| Ambient conditions | |
|-------------------------------------|--------------------------------------|
| Operating temperature | -40 ... 150 °C (-40 ... 302 °F) |
| Mechanical specifications | |
| Shaft diameter | $d_1 = 12$ mm , $d_2 = 12$ mm |
| Material | |
| Spring | spring steel (1.1200), nickel plated |
| End piece | Stainless steel 1.4305 / AISI 303 |
| Mass | 130 g |
| Rotational speed | max. 3000 min |
| Max. torque | 1.5 Nm |
| Tightening torque, fastening screws | 1.2 Nm |
| Radial offset | max. ± 1.5 mm |
| Axial offset | max. ± 1 mm |
| Angle error | max. $\pm 5^\circ$ |
| Torsion angle | at torque 0.75 Nm drive shaft view |
| CW rotation direction | 40° |
| CCW rotation direction | 60° |

Release date: 2024-09-11 Date of issue: 2024-09-11 Filename: 70120104-100028_eng.pdf

Technical Data

| | |
|--------------------------------------|--|
| Moment of inertia | 129 kg m ² x 10 ⁻⁷ |
| Mounting | clamp screws M5 x 6, DIN 916 |
| Tightening torque of clamping screws | max. 3 Nm |