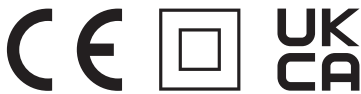


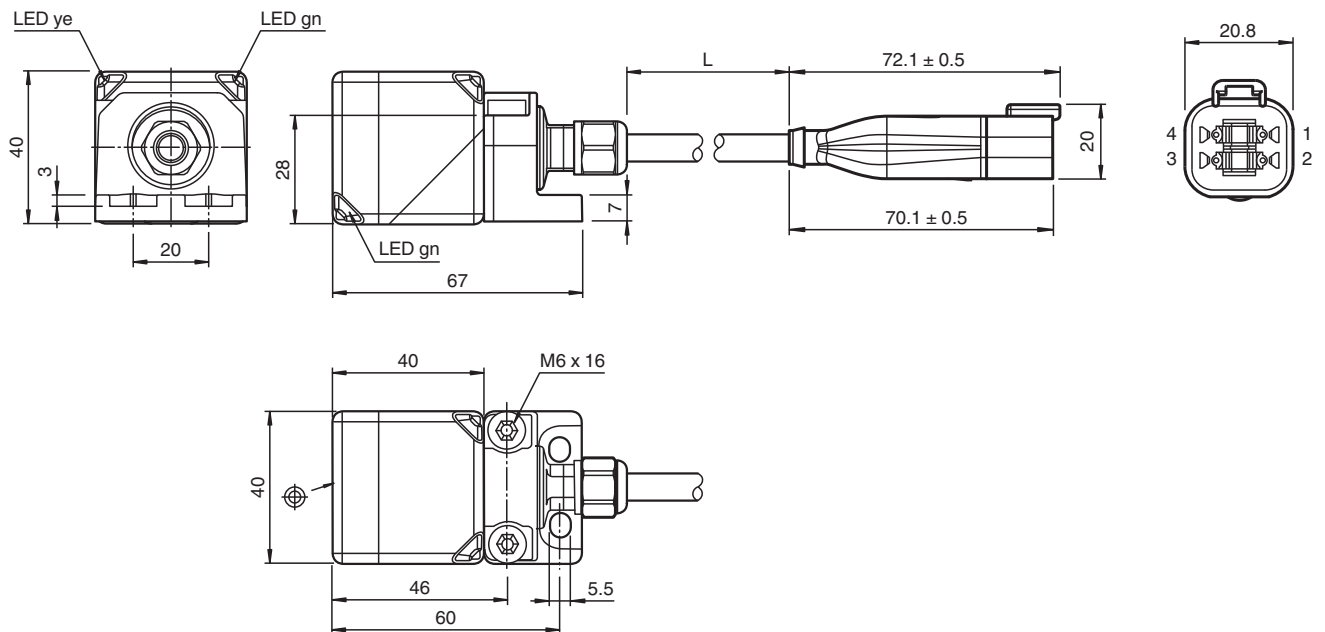
Inductive sensor

NBB20-L2M-EU-175MM-4DT04

- 0.5 / 4.5 VDC switching output for mobile equipment controls
- 20 mm flush
- Deutsch 4-pin, DT04 connector
- Customer-specific cable length
- Sensor head bidirectional and rotatable
- Power and output LEDs



Dimensions



Technical Data

General specifications

Output type		Digital voltage output
Rated operating distance	s_n	20 mm
Installation		flush
Output polarity		DC
Assured operating distance	s_a	0 ... 16.2 mm
Actual operating distance	s_r	18 ... 22 mm
Actuating element		mild steel, e. g. 1.0037, SR235JR (formerly St37-2) 60 mm x 60 mm x 1 mm
Reduction factor r_{Al}		0.33
Reduction factor r_{Cu}		0.31
Reduction factor r_{304}		0.74
Reduction factor r_{Brass}		0.41

Release date: 2024-05-28 Date of issue: 2024-06-05 Filename: 70120192_eng.pdf

Technical Data

Output type		3-wire
Nominal ratings		
Operating voltage	U_B	10 ... 30 V DC
Switching frequency	f	0 ... 440 Hz
Hysteresis	H	typ. 5 %
Reverse polarity protection		reverse polarity protected
Short-circuit protection		yes
Temperature drift		≤ 10 %
No-load supply current	I_0	≤ 15 mA
Time delay before availability	t_v	≤ 40 ms
Load resistor		min. 20 kΩ
Operating voltage indicator		LED, green
Switching state indicator		LED, yellow
Functional safety related parameters		
MTTF _d		953 a
Mission Time (T _M)		20 a
Diagnostic Coverage (DC)		0 %
Digital output		
Output value		object detected: 4.5 V ± 0.2 V object not detected: 0.5 V ± 0.2 V
Compliance with standards and directives		
Standard conformity		
Standards		EN IEC 60947-5-2
Approvals and certificates		
CCC approval		CCC approval / marking not required for products rated ≤36 V
Ambient conditions		
Ambient temperature		-40 ... 80 °C (-40 ... 176 °F)
Storage temperature		-40 ... 80 °C (-40 ... 176 °F)
Mechanical specifications		
Connection type		fixed cable with plug
Housing material		PA-GF35 metal base Xylan coated metal mounting flange Xylan coated.
Sensing face		PA-GF35
Degree of protection		IP69K
Connector		
Number of pins		4
Connection assembly		Deutsch connector DT04-4P-CE02 Deutsch wedge W4P Deutsch contact 1060-16-0622
Cable		
Material		PUR
Color		black
Core cross section		0.75 mm ²
Length	L	150 mm ± max. 5 mm
Mass		272 g
Dimensions		
Height		40 mm
Width		40 mm
Length		67 mm

Connection

