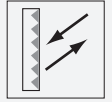


Reflector

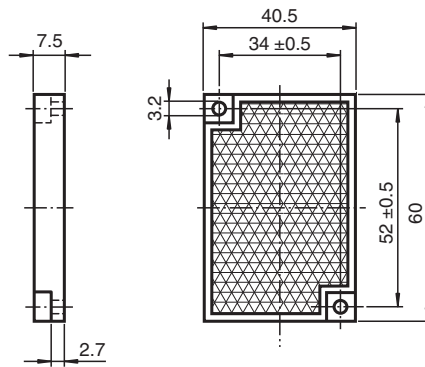
REF-H60-A025-SET

- Mounting holes for simple installation



Reflector, rectangular 40.5 mm x 60 mm, mounting holes

Dimensions



Technical Data

General specifications	
Construction type	rectangular
Ambient conditions	
Ambient temperature	-20 ... 60 °C (-4 ... 140 °F)
Mechanical specifications	
Material	PMMA/ABS
Dimensions	60 mm x 40.5 mm x 7.5 mm
Mounting	mounting holes
Accessories	
Accessories provided	2 x M3 x 12 Philip-slot SEM Pan Head Machine Screws with flat washer and spring washer , Stainless steel A2 , passivated 2 x M3 Hexagon DIN 985 locknuts with nylon insert , Stainless steel A2 (wrench required for tightening)

Release date: 2020-09-22 Date of issue: 2020-09-22 Filename: 70120402_eng.pdf