



Ethernet-APL Rail Field Switch

FieldConnex®

ARS11-B2-IA24-1

- Managed Ethernet-APL field switch for process industries
- PROFINET MRP, S2 redundancy and dynamic reconfiguration
- 2 ports each for 1000BASE-T and SFP transceivers
- Redundant power input 20 VDC ... 60 VDC
- Installation in Zone 2
- Physical layer diagnostics at the spur
- Configuration and diagnosis with FDI, web interface, PROFINET device functions and SNMP
- Support of network security
- Powered spur ports intrinsically safe Ex ia according to 2-WISE and FISCO
- Support of Ethernet-APL and PROFIBUS PA instruments

Ethernet-APL rail field switch with 24 intrinsically safe Ex ia spur ports and screw terminals with proxy support selectable for PROFIBUS PA field devices



ethernet-apl™
advanced physical layer



Function

The Ethernet-APL rail field switch is a ruggedized, managed field switch offering connectivity for Ethernet-APL devices to Ethernet networks via any protocol. The connections, i. e., "spur" ports, provide intrinsically safe (Ex ia) power and communication to instruments located in Zone 0/1. APL field switches can be installed in Zone 2.

The APL field switch features 2 Gigabit Ethernet ports and 2 SFP ports. The SFP ports provide connections for a choice of optional SFP transceivers to be used in explosion-hazardous areas and different distances.

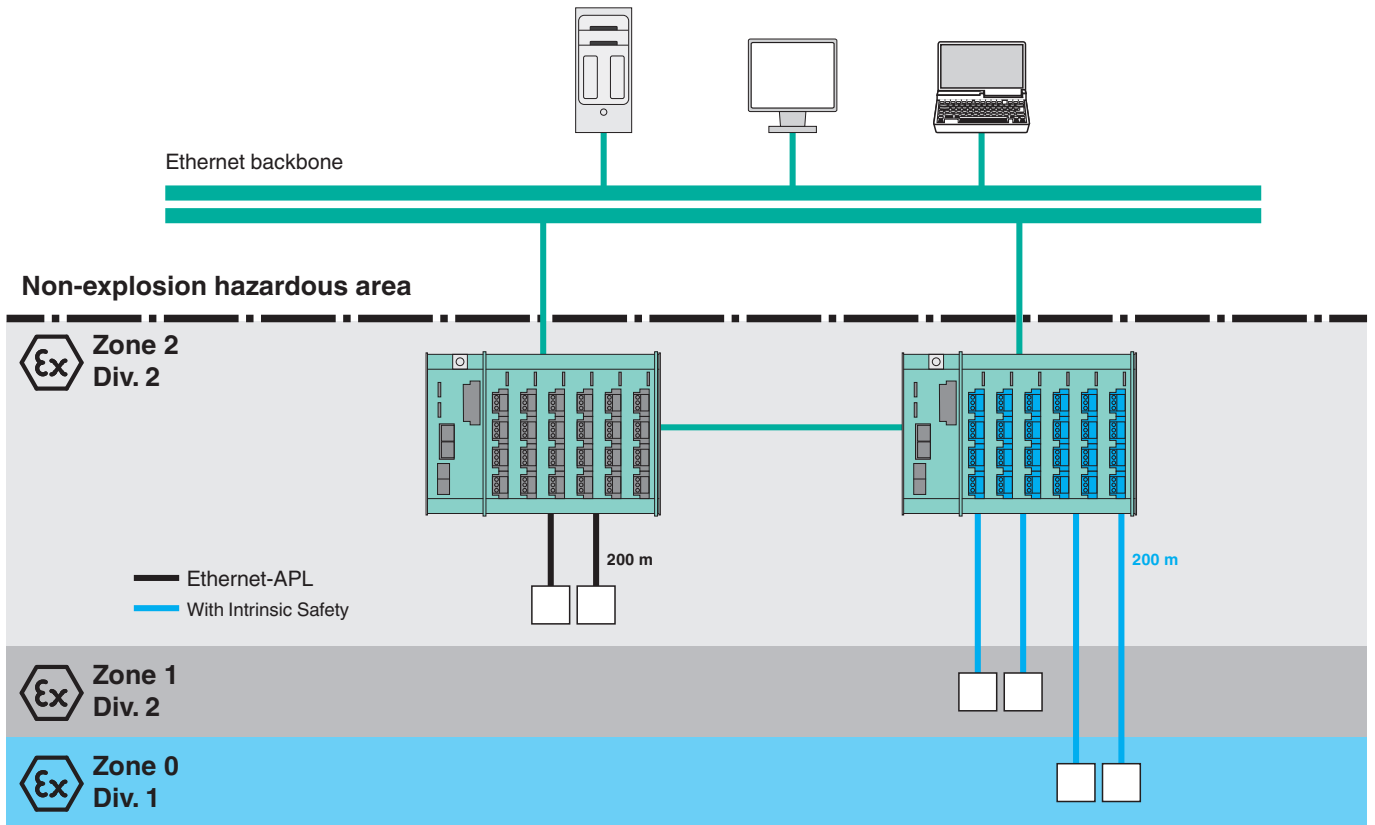
For PROFINET, the APL field switch supports Class B networks. For high-availability installations, the APL field switch provides redundancy mechanisms such as MRP ring redundancy and S2 system redundancy.

PROFINET dynamic reconfiguration permits re-configuration of the APL field switch during runtime without interrupting the data exchange.

Easy configuration and diagnostics of the APL field switch are accessible via FDI and web-based management. PROFINET device functions and SNMP assure fast start-up and enable the use of predictive maintenance. Comprehensive network and physical layer diagnostics enable proactive management strategies to reduce risk of failure and downtime.

The APL field switch implements enhanced network security and supports SNMPv3, the locking of unused ports, and the HTTPS protocol.

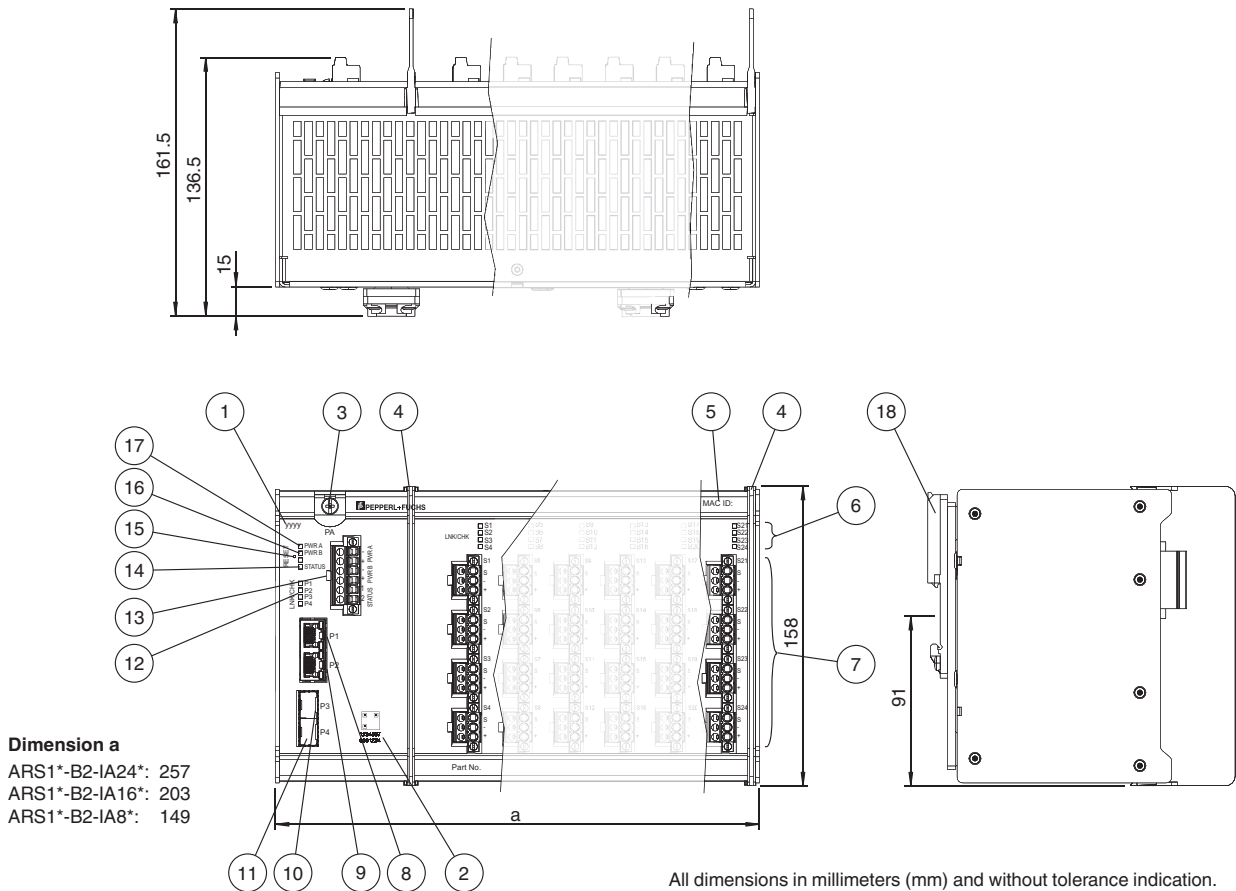
Function Principle



Release date: 2025-05-06 Date of issue: 2025-05-06 Filename: 70121875-100002_eng.pdf

Dimensions

DIN Rail Mounting



- 1 Year of production
- 2 QR code and serial number
- 3 PA, connection to equipotential bonding
- 4 Slot for separation wall
- 5 MAC ID
- 6 LED S1 ... Sn, status spur ports S1 ... Sn
- 7 Connectors for intrinsically safe spurs S1 ... Sn
- 8 Ethernet port P1
- 9 Ethernet port P2
- 10 Ethernet SFP port P3
- 11 Ethernet SFP port P4
- 12 LED LNK/CHK P1 ... P4, communication status LED P1 ... P4
- 13 Connector for auxiliary power and status indication output
- 14 LED STATUS, status rail field switch
- 15 Reset button
- 16 LED PWR B, status power input B
- 17 LED PWR A, status power input A
- 18 DIN rail mounting brackets

Technical Data

General specifications		
Design / Mounting	Cabinet installation	
Installation in hazardous area	Zone 2	
Fieldbus support	PROFIBUS PA	
Supply		
Rated voltage	U _r	20 ... 60 V
Rated current	I _r	1.8 ... 0.6 A
Power dissipation	max. 23 W	

Release date: 2025-05-06 Date of issue: 2025-05-06 Filename: 70121875-100002_eng.pdf

Technical Data

Voltage difference dual supply input	+/- 10 %
Power consumption	max. 36 W
Redundancy	dual supply input
Indicators/operating means	
LED PWR A/B	green: power on
LED LNK/CHK	Off: no communication link active , Green: communication link active , Green flashing: communication link activity , Yellow flashing: communication with PROFIBUS PA field device , Red flashing: check function
LED STATUS	Off: Good , Blue: Maintenance required , Red: Failure
Fault signal	VFC alarm 100 mA, 32 V DC, normally closed
Button	Device reset
Interface 1	
Interface type	Ethernet-APL : 1 Vpp option spur connection , PROFIBUS PA
Port classification	S P A A
Number of ports	24
Port identification	S1...S24
Power option	powered
Transfer rate	10 MBit/s full duplex
Rated voltage	9.6 V
Rated current	55.56 mA
Rated power	540 mW
Cable shield grounding option	capacitive grounded
Connection type	screw terminals , pluggable
Conductor cross section	single wire/stranded wire: 0.2 ... 2.5 mm ²
Conductor cross section solid wire	0.34 ... 2.5 mm ² , 14 ... 22 AWG
Conductor cross section flexible wire	0.34 ... 2.5 mm ² , 14 ... 22 AWG
Interface 2	
Interface type	1000BASE-T
Number of ports	2
Port identification	P 1 ... P 2
Transfer rate	10/100/1000 Mbps
Connection type	RJ-45 , EIA/TIA 568 B
Interface 3	
Interface type	Slot for SFP transceiver SFP Multi-Source (MSA) compliant
Number of ports	2
Port identification	P 3 ... P 4
Galvanic isolation	
Spurs/Supply	safe electrical isolation acc. to IEC/EN 60079-11, voltage peak value 375 V
SFP/Supply	620 V AC
1000BASE-T/Supply	1500 V AC
1000BASE-T/Spurs	safe electrical isolation acc. to IEC/EN 60079-11, voltage peak value 375 V
1000BASE-T/1000BASE-T	1500 V AC
Housing/All	620 V AC
Fault signal/All	620 V AC
Directive conformity	
Electromagnetic compatibility	
Directive 2014/30/EU	EN 61326-1:2013
Conformity	
Galvanic isolation	IEC 61010-1
Electromagnetic compatibility	EN 61326 , NE 21

Release date: 2025-05-06 Date of issue: 2025-05-06 Filename: 70121875-100002_eng.pdf

Technical Data

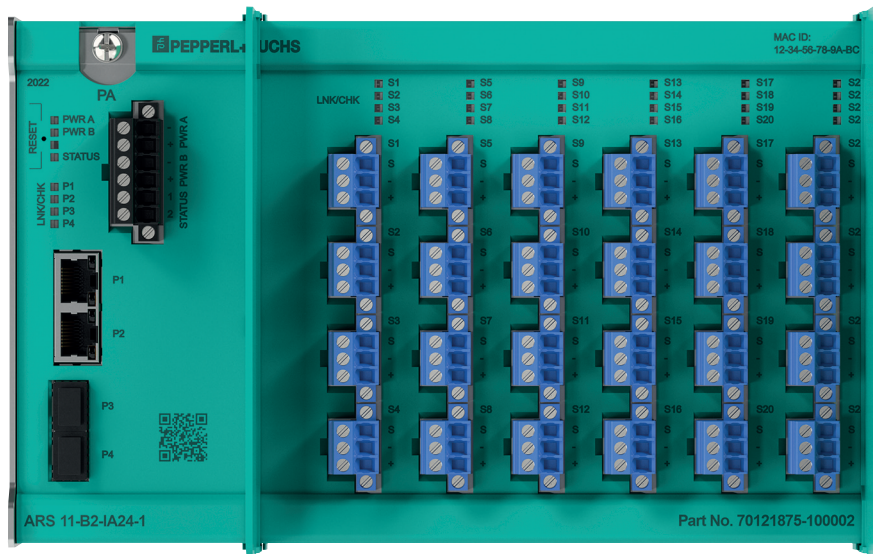
Degree of protection		IEC 60529
Ethernet		IEEE 802.3z , IEEE 802.3u , IEEE 802.3cg
Shock resistance		EN 60068-2-27
Vibration resistance		EN 60068-2-6
Climatic conditions		DIN IEC 721
Software		
Industrial protocols		PROFINET , CC-B (PA) , dynamic reconfiguration , Netload Class III , pruning
Management		Web user interface , SNMP v1, v2 , v3 , PROFINET
Redundancy		PROFINET MRP , PROFINET system redundancy S2
Management Information Base (MIB)		PROFINET conformance class B
Diagnostics function		10BASE-T1L physical layer , port , Packet statistics , LLDP , PROFIBUS PA
Cybersecurity		
Ambient conditions		
Ambient temperature		-40 ... 70 °C (-40 ... 158 °F) horizontally mounted no SFP installed -40 ... 65 °C (-40 ... 149 °F) horizontally mounted SFP installed
Storage temperature		-40 ... 85 °C (-40 ... 185 °F)
Relative humidity		≤ 95 % non-condensing
Shock resistance		15 g 11 ms
Vibration resistance		1 g 10 ... 150 Hz
Pollution degree		max. 2, according to IEC 60664
Corrosion resistance		acc. to ISA-S71.04-1985, severity level G3
Mechanical specifications		
Housing material		stainless steel 1.4301 , Polycarbonate
Degree of protection		IP20
Mass		3826 g
Dimensions		
Height		158 mm
Width		257 mm
Depth		136.5 mm
Mounting		DIN rail mounting , wall mounting
Data for application in connection with hazardous areas		
EU-type examination certificate		TÜV 21 ATEX 8666 X
Marking		⊕ II 3 (1) G Ex ic ec [ia Ga] IIC T4 Gc ⊕ II (1) D [Ex ia Da] IIC
Supply		
Maximum safe voltage	U_m	60 V
Interface 1		2-WISE power source, FISCO power supply
Voltage U_o		17.5 V
Current I_o		380 mA
Power P_o		1.67 W
Capacitance C_o		IIC : 0.25 μ F IIB/IIC : 1.5 μ F
Inductance L_o		IIC : 0.15 mH IIB/IIC : 0.5 mH
Interface 2		
Maximum safe voltage U_m		60 V
Interface 3		
Maximum safe voltage U_m		60 V
Directive conformity		
Directive 2014/34/EU		EN 60079-0:2018 , EN 60079-11:2012 , EN 60079-7:2015+A1:2018 , IEC TS 60079-47:2021
International approvals		
IECEx approval		IECEx TUR 21.0072X
Approved for		Ex ic ec [ia Ga] IIC T4 Gc [Ex ia Da] IIC

Release date: 2025-05-06 Date of issue: 2025-05-06 Filename: 70121875-100002_eng.pdf

Technical Data

Certificates and approvals	
Patents	This product may be covered by the following patent: US 9,762,409
General information	
Supplementary information	Observe the certificates, declarations of conformity, instruction manuals, and manuals where applicable. For information see www.pepperl-fuchs.com .

Assembly



Mounting

Wall Mounting Option
For wall mounting the APL rail field switch use the accessory ACC-ARS-WM. See manual for details and dimensions.

Type Code

ARS1	(1)	B	2	-	IA	(2)	-	(3)
------	-----	---	---	---	----	-----	---	-----

ARS1	Device
ARS1	Ethernet-APL Rail Field Switch

(1)	PROFIBUS PA Proxy
1	With proxy
2	Without proxy

B	Power Supply
B	Separately powered 20 V ... 60 V

2	Uplink Ports
2	2 ports each for RJ45 and SFP slots

Release date: 2025-05-06 Date of issue: 2025-05-06 Filename: 70121875-100002_eng.pdf

Type Code

IA Intrinsic Safety at Spurs	
IA	Ex ia IIC

(2) Spur Port Count	
08	Spur ports
16	Spur ports
24	Spur ports

(3) Pluggable Terminal Types	
1	Screw terminals
2	Spring terminals