



## Ethernet-APL Rail Field Switch

### FieldConnex®

#### ARS12-B2-IA08-2

- Managed Ethernet-APL field switch for process industries
- PROFINET MRP, S2 redundancy and dynamic reconfiguration
- 2 ports each for 1000BASE-T and SFP transceivers
- Redundant power input 20 VDC ... 60 VDC
- Installation in Zone 2
- Physical layer diagnostics at the spur
- Configuration and diagnosis with FDI, web interface, PROFINET device functions and SNMP
- Support of network security
- Powered spur ports intrinsically safe Ex ia according to 2-WISE

Ethernet-APL rail field switch with 8 intrinsically safe Ex ia spur ports and spring terminals



**ethernet-apl™**  
advanced physical layer



### Function

The Ethernet-APL rail field switch is a ruggedized, managed field switch offering connectivity for Ethernet-APL devices to Ethernet networks via any protocol. The connections, i. e., "spur" ports, provide intrinsically safe (Ex ia) power and communication to instruments located in Zone 0/1. APL field switches can be installed in Zone 2.

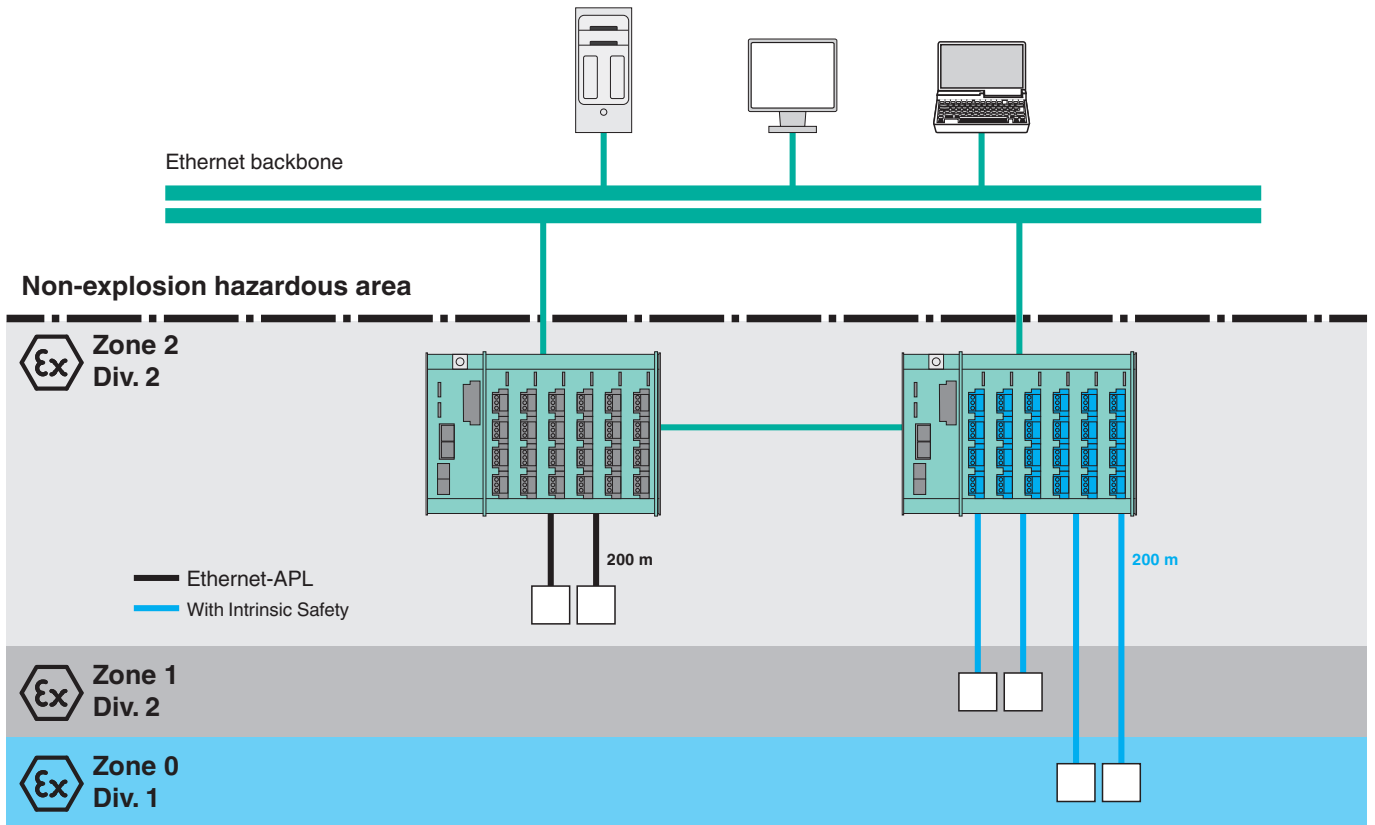
The APL field switch features 2 Gigabit Ethernet ports and 2 SFP ports. The SFP ports provide connections for a choice of optional SFP transceivers to be used in explosion-hazardous areas and different distances.

For PROFINET, the APL field switch supports Class B networks. For high-availability installations, the APL field switch provides redundancy mechanisms such as MRP ring redundancy and S2 system redundancy.

Easy configuration and diagnostics of the APL field switch are accessible via FDI and web-based management. PROFINET device functions and SNMP assure fast start-up and enable the use of predictive maintenance. Comprehensive network and physical layer diagnostics enable proactive management strategies to reduce risk of failure and downtime.

The APL field switch implements enhanced network security and supports SNMPv3, the locking of unused ports, and the HTTPS protocol.

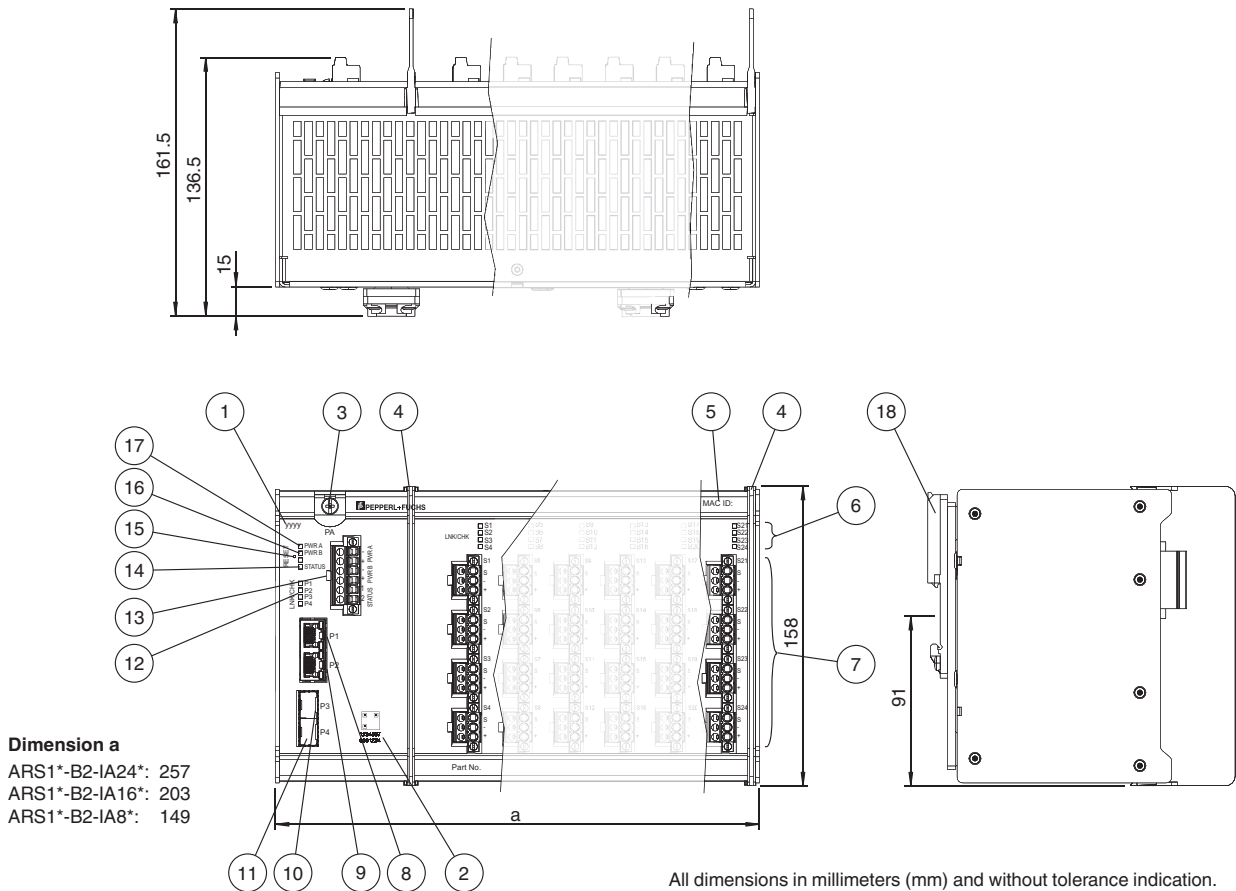
### Function Principle



Release date: 2025-05-06 Date of issue: 2025-05-06 Filename: 70121875-100009\_eng.pdf

**Dimensions**

**DIN Rail Mounting**



All dimensions in millimeters (mm) and without tolerance indication.

- 1 Year of production
- 2 QR code and serial number
- 3 PA, connection to equipotential bonding
- 4 Slot for separation wall
- 5 MAC ID
- 6 LED S1 ... Sn, status spur ports S1 ... Sn
- 7 Connectors for intrinsically safe spurs S1 ... Sn
- 8 Ethernet port P1
- 9 Ethernet port P2
- 10 Ethernet SFP port P3
- 11 Ethernet SFP port P4
- 12 LED LNK/CHK P1 ... P4, communication status LED P1 ... P4
- 13 Connector for auxiliary power and status indication output
- 14 LED STATUS, status rail field switch
- 15 Reset button
- 16 LED PWR B, status power input B
- 17 LED PWR A, status power input A
- 18 DIN rail mounting brackets

**Technical Data**

<b>General specifications</b>			
Design / Mounting		Cabinet installation	
Installation in hazardous area		Zone 2	
<b>Supply</b>			
Rated voltage	U <sub>r</sub>	20 ... 60 V	
Rated current	I <sub>r</sub>	0.85 ... 0.3 A	
Power dissipation		max. 13.7 W	
Voltage difference dual supply input		+/- 10 %	

Release date: 2025-05-06 Date of issue: 2025-05-06 Filename: 70121875-100009\_eng.pdf

## Technical Data

Power consumption	max. 18 W
Redundancy	dual supply input
<b>Indicators/operating means</b>	
LED PWR A/B	green: power on
LED LNK/CHK	Off: no communication link active , Green: communication link active , Green flashing: communication link activity , Red flashing: check function
LED STATUS	Off: Good , Blue: Maintenance required , Red: Failure
Fault signal	VFC alarm 100 mA, 32 V DC, normally closed
Button	Device reset
<b>Interface 1</b>	
Interface type	Ethernet-APL : 1 Vpp option spur connection
Port classification	S P A A
Number of ports	8
Port identification	S1...S8
Power option	powered
Transfer rate	10 MBit/s full duplex
Rated voltage	9.6 V
Rated current	55.56 mA
Rated power	540 mW
Cable shield grounding option	capacitive grounded
Connection type	spring terminals , pluggable
Conductor cross section	single wire/stranded wire: 0.5 ... 2.5 mm <sup>2</sup>
Conductor cross section solid wire	0.34 ... 2.5 mm <sup>2</sup> , 14 ... 22 AWG
Conductor cross section flexible wire	0.34 ... 2.5 mm <sup>2</sup> , 14 ... 22 AWG
<b>Interface 2</b>	
Interface type	1000BASE-T
Number of ports	2
Port identification	P 1 ... P 2
Transfer rate	10/100/1000 Mbps
Connection type	RJ-45 , EIA/TIA 568 B
<b>Interface 3</b>	
Interface type	Slot for SFP transceiver SFP Multi-Source (MSA) compliant
Number of ports	2
Port identification	P 3 ... P 4
<b>Galvanic isolation</b>	
Spurs/Supply	safe electrical isolation acc. to IEC/EN 60079-11, voltage peak value 375 V
SFP/Supply	620 V AC
1000BASE-T/Supply	1500 V AC
1000BASE-T/Spurs	safe electrical isolation acc. to IEC/EN 60079-11, voltage peak value 375 V
1000BASE-T/1000BASE-T	1500 V AC
Housing/All	620 V AC
Fault signal/All	620 V AC
<b>Directive conformity</b>	
Electromagnetic compatibility	
Directive 2014/30/EU	EN 61326-1:2013
<b>Conformity</b>	
Galvanic isolation	IEC 61010-1
Electromagnetic compatibility	EN 61326 , NE 21
Degree of protection	IEC 60529
Ethernet	IEEE 802.3z , IEEE 802.3u , IEEE 802.3cg

## Technical Data

Shock resistance	EN 60068-2-27
Vibration resistance	EN 60068-2-6
Climatic conditions	DIN IEC 721
<b>Software</b>	
Industrial protocols	PROFINET , CC-B (PA) , dynamic reconfiguration , Netload Class III , pruning
Management	Web user interface , SNMP v1, v2 , v3 , PROFINET
Redundancy	PROFINET MRP , PROFINET system redundancy S2
Management Information Base (MIB)	PROFINET conformance class B
Diagnostics function	10BASE-T1L physical layer , port , Packet statistics , LLDP
<b>Cybersecurity</b>	
<b>Ambient conditions</b>	
Ambient temperature	-40 ... 70 °C (-40 ... 158 °F) horizontally mounted no SFP installed -40 ... 65 °C (-40 ... 149 °F) horizontally mounted SFP installed
Storage temperature	-40 ... 85 °C (-40 ... 185 °F)
Relative humidity	≤ 95 % non-condensing
Shock resistance	15 g 11 ms
Vibration resistance	1 g 10 ... 150 Hz
Pollution degree	max. 2, according to IEC 60664
Corrosion resistance	acc. to ISA-S71.04-1985, severity level G3
<b>Mechanical specifications</b>	
Housing material	stainless steel 1.4301 , Polycarbonate
Degree of protection	IP20
Mass	2656 g
<b>Dimensions</b>	
Height	158 mm
Width	149 mm
Depth	136.5 mm
Mounting	DIN rail mounting , wall mounting
<b>Data for application in connection with hazardous areas</b>	
EU-type examination certificate	TÜV 21 ATEX 8666 X
Marking	⊕ II 3 (1) G Ex ic ec [ia Ga] IIC T4 Gc ⊕ II (1) D [Ex ia Da] IIIC
<b>Supply</b>	
Maximum safe voltage	$U_m$ 60 V
Interface 1	2-WISE power source
Voltage $U_o$	17.5 V
Current $I_o$	380 mA
Power $P_o$	1.67 W
Capacitance $C_o$	IIC : 0.25 $\mu$ F IIB/IIIC : 1.5 $\mu$ F
Inductance $L_o$	IIC : 0.15 mH IIB/IIIC : 0.5 mH
Interface 2	
Maximum safe voltage $U_m$	60 V
Interface 3	
Maximum safe voltage $U_m$	60 V
<b>Directive conformity</b>	
Directive 2014/34/EU	EN 60079-0:2018 , EN 60079-11:2012 , EN 60079-7:2015+A1:2018 , IEC TS 60079-47:2021
<b>International approvals</b>	
IECEx approval	IECEx TUR 21.0072X
Approved for	Ex ic ec [ia Ga] IIC T4 Gc [Ex ia Da] IIIC
<b>Certificates and approvals</b>	
Patents	This product may be covered by the following patent: US 9,762,409

Release date: 2025-05-06 Date of issue: 2025-05-06 Filename: 70121875-100009\_eng.pdf

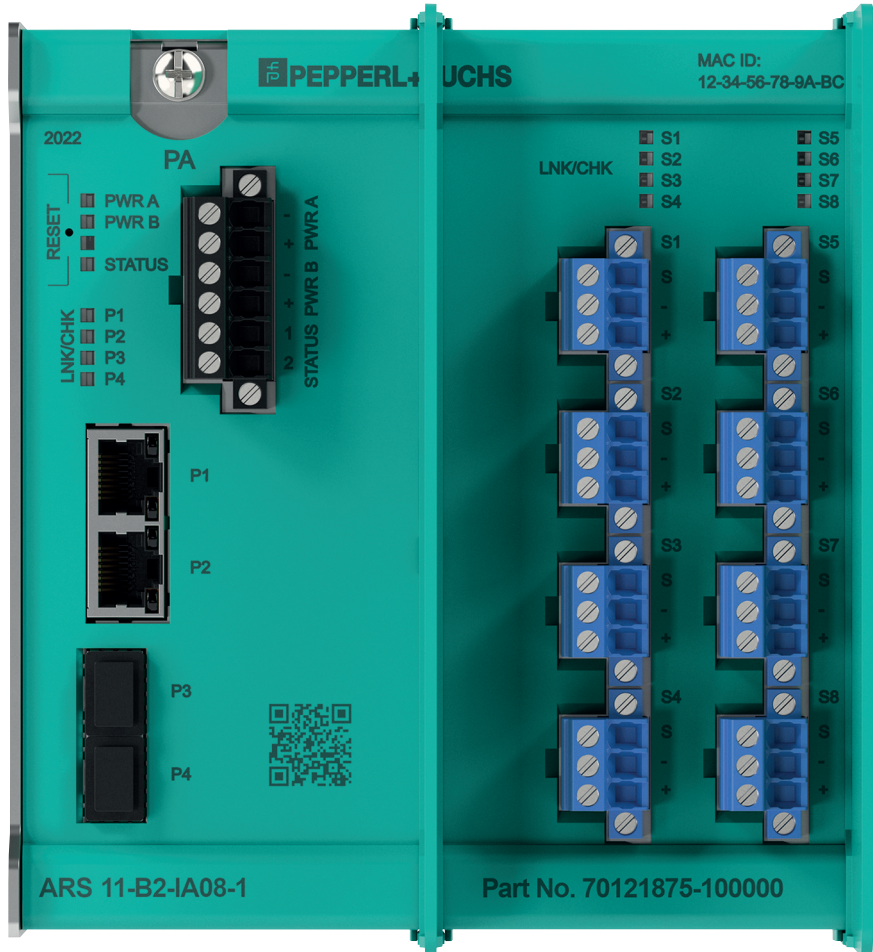
**Technical Data**

**General information**

Supplementary information

Observe the certificates, declarations of conformity, instruction manuals, and manuals where applicable. For information see [www.pepperl-fuchs.com](http://www.pepperl-fuchs.com).

**Assembly**



**Mounting**

**Wall Mounting Option**

For wall mounting the APL rail field switch use the accessory ACC-ARS-WM. See manual for details and dimensions.

**Type Code**

ARS1	(1)	B	2	-	IA	(2)	-	(3)
------	-----	---	---	---	----	-----	---	-----

ARS1	Device
ARS1	Ethernet-APL Rail Field Switch

(1)	PROFIBUS PA Proxy
1	With proxy
2	Without proxy

B	Power Supply
B	Separately powered 20 V ... 60 V

2	Uplink Ports
2	2 ports each for RJ45 and SFP slots

IA	Intrinsic Safety at Spurs
IA	Ex ia IIC

Release date: 2025-05-06 Date of issue: 2025-05-06 Filename: 70121875-100009\_eng.pdf

**Type Code**

(2)	Spur Port Count
08	Spur ports
16	Spur ports
24	Spur ports

(3)	Pluggable Terminal Types
1	Screw terminals
2	Spring terminals