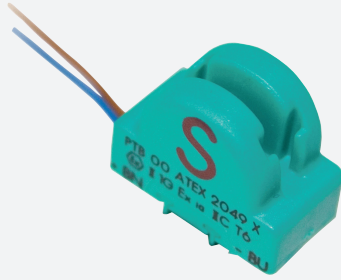


Inductive slot sensor

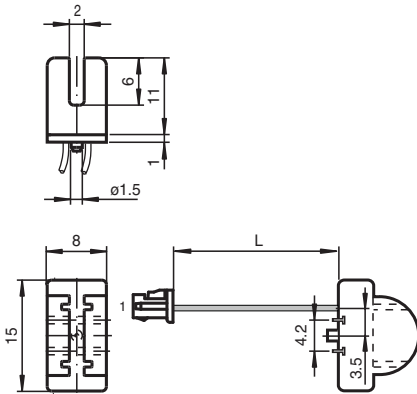
SJ2-SN-Y70122212



- 2 mm slot width
- SJ2-SN with MOLEX connector
- Ferrous targets



Dimensions



Technical Data

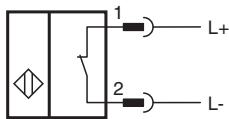
General specifications			
Switching function			Normally closed (NC)
Output type			NAMUR with safety function
Slot width			2 mm
Depth of immersion (lateral)			5 ... 7 typ. 6 mm
Reference target			5 x 8 x 0.5 mm ³ , Al
Output type			2-wire
Nominal ratings			
Nominal voltage	U _o		8.2 V (R _i approx. 1 kΩ)
Switching frequency	f		0 ... 5000 Hz
Hysteresis	H		with NAMUR switch amplifier: 0.02 mm (e. g. Pepperl+Fuchs KCD2-SR-Ex1.LB) with safety switch amplifier 0.01 mm (e. g. Pepperl+Fuchs KFD2-SH-Ex1)
Suitable for 2:1 technology			yes , with reverse polarity protection diode
Rate of current rise			-11 mA / mm
Current consumption			
Measuring plate not detected			≥ 3 mA
Measuring plate detected			0.2 ... 1 mA

Release date: 2022-06-22 Date of issue: 2022-06-22 Filename: 70122212_eng.pdf

Technical Data

Functional safety related parameters		
MTTF _d		11800 a
Mission Time (T _M)		20 a
Diagnostic Coverage (DC)		0 %
Ambient conditions		
Ambient temperature		-40 ... 100 °C (-40 ... 212 °F)
Mechanical specifications		
Connection type		flexible leads
Housing material		PBT
Degree of protection		IP67
Connector		
Number of pins		2
Connection assembly		Molex connector 51021-0200 Molex crimp 50058-8000
Cable		
Cable diameter		0.75 mm ± 0.15 mm
Bending radius		> 10 x cable diameter
Material		LIFYW
Number of cores		2
Core cross section		0.06 mm ²
Length	L	30 mm ± 4 mm
Note		adjustable stop


Connection



Wire colors in accordance with EN 60947-5-6

1		BN	(brown)
2		BU	(blue)

Accessories

	F-KD-Ex2	Terminal module for NAMUR sensors
---	-----------------	-----------------------------------