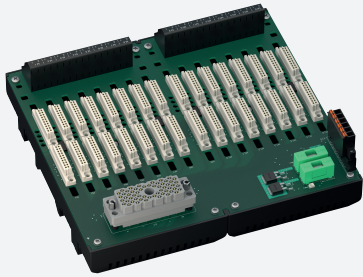


Termination Board

HiCTB16-TRX-RSC-SP-DI16-NEX



- System board for Schneider Electric, Tricon CX series by Triconex
- For 32-channel (16+16) DI card 3506X
- For 16 modules
- 24 V DC supply
- Recommended modules: HiC2821 (DI), HiC2841 (DI), HiC2853R6 (DI)
- Field side: spring terminals, black
- Control side: ELCO socket, 56-pin



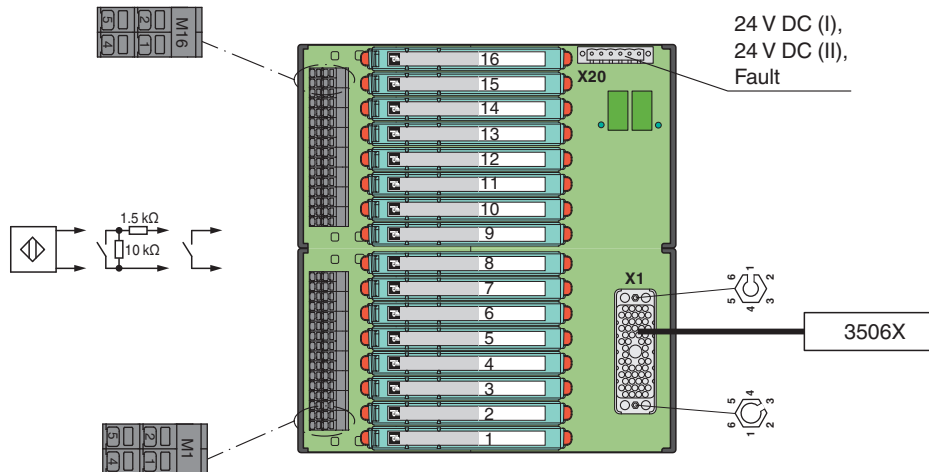
Function

The function of the termination board and the system connector pin assignment is exactly fitted to the requirements of the Triconex Tricon CX system.
 The signal is output to the safety instrumented system via the system connector.
 Information about missing supply voltage of the isolated barriers is available for the system at the volt-free transistor output.
 The termination board has a robust glass fiber reinforced plastic housing.
 The termination board is mounted in the switch cabinet on a 35 mm DIN mounting rail according to EN 60175.

Application

- Triconex card Tricon CX:
- Termination board 1 and cable 1: channel 1 ... 16
 - Termination board 2 and cable 2: channel 17 ... 32

Connection



Technical Data

| Supply | |
|-----------------|--|
| Connection | X20: terminals 3, 5(+); 4, 6(-) |
| Nominal voltage | 24 V DC , in consideration of rated voltage of used isolators |
| Voltage drop | 0.9 V , voltage drop across the series diode on the termination board must be considered |
| Ripple | ≤ 10 % |
| Fusing | 4 A , in each case for 16 modules |

Release date: 2023-07-04 Date of issue: 2023-07-04 Filename: 70123795_eng.pdf


Technical Data

| | | |
|----------------------------------|-------|---|
| Power dissipation | | ≤ 500 mW , without modules |
| Reverse polarity protection | | yes |
| Redundancy | | |
| Supply | | Redundancy available. The supply for the isolators is decoupled, monitored and fused. |
| Fault indication output | | |
| Connection | | X20: terminals 1(+), 2(-) |
| Output type | | volt-free transistor output , not short-circuit protected , not overload protected |
| Rated voltage | U_r | 30 V DC |
| Rated current | I_r | 100 mA |
| Signal level | | no fault: (external voltage) - 1 V max. for 100 mA ($T_{amb} = 25\text{ °C}$ (77 °F)) power supply fault: blocked output (off-state current ≤ 10 μA) |
| Indicators/settings | | |
| Display elements | | LED PWR1 (termination board power supply), green LED LED PWR2 (termination board power supply), green LED |
| Directive conformity | | |
| Electromagnetic compatibility | | |
| Directive 2014/30/EU | | EN 61326-1:2013 (industrial locations) |
| Conformity | | |
| Electromagnetic compatibility | | |
| | | NE 21:2017 For further information see system description. |
| Degree of protection | | IEC 60529:2001 |
| Ambient conditions | | |
| Ambient temperature | | -20 ... 60 °C (-4 ... 140 °F) |
| Storage temperature | | -40 ... 85 °C (-40 ... 185 °F) |
| Mechanical specifications | | |
| Degree of protection | | IP20 |
| Connection | | |
| Field side | | 4 spring terminals per module , black |
| Control side | | ELCO socket, 56-pin |
| Supply | | pluggable spring terminals , black |
| Fault output | | pluggable spring terminals , black |
| Core cross section | | spring terminals 0.25 ... 1.5 mm ² (24 ... 16 AWG) |
| Material | | housing: polycarbonate, 10 % glass fiber reinforced |
| Mass | | approx. 665 g |
| Dimensions | | 216 x 200 x 163 mm (8.5 x 7.9 x 6.42 inch) (W x H x D) , depth including module assembly |
| Mounting | | on 35 mm DIN mounting rail acc. to EN 60715:2001 |
| General information | | |
| Supplementary information | | Observe the certificates, declarations of conformity, instruction manuals, and manuals where applicable. For information see www.pepperl-fuchs.com . |

Safety Information

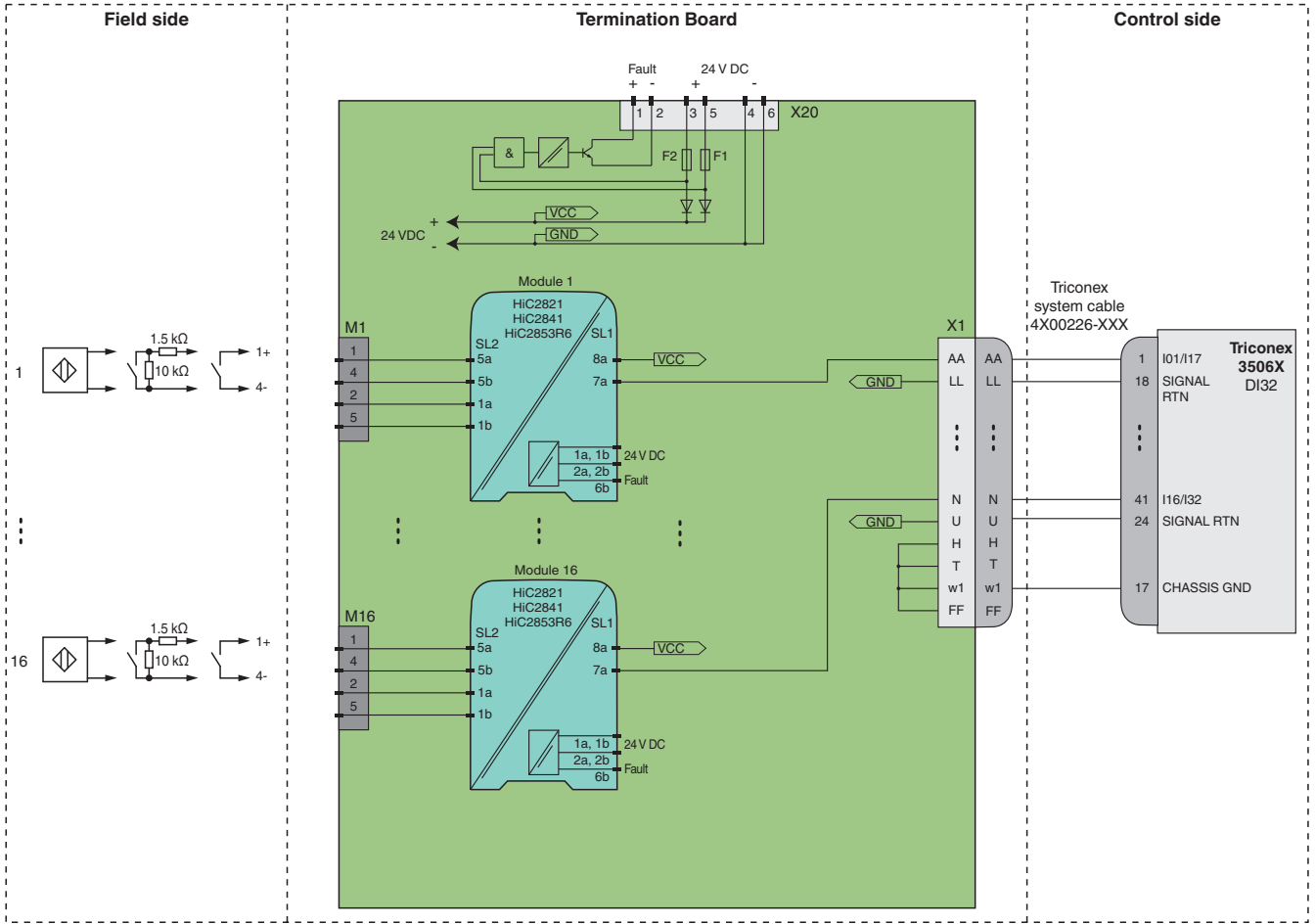
We recommend that you do not connect the device supply to a DC supply network.
If you connect the device supply to a DC supply network, make sure that appropriate protective measures are implemented to ensure that no transient overvoltages occur.

Accessories

| | | |
|---|----------------------------|--|
|  | HiALC-HICTB-SET-108 | Label carrier for HiC termination boards |
|---|----------------------------|--|

Application

Typical circuit



Module switch settings

| Type (DI) | DIP switch | Position |
|--|------------|-------------|
| HiC2821 (DI), HiC2841 (DI) • Mode of operation: open – energized close – de-energized • Input line fault detection: disabled | S1 | I |
| | S2 | II |
| | S3 | no function |
| | S4 | no function |

| Type (DI) | |
|-----------|---------------|
| HiC2853R6 | not available |



HiC2853R6:

Observe the rated voltage U_r of the isolators: 21.6 ... 26.4 V DC.



For exact pin assignment for field side and control side see the documentation of the isolated barrier.



The pin-out configuration has to be observed. For information see corresponding pin-out table on www.pepperl-fuchs.com.

Release date: 2023-07-04 Date of issue: 2023-07-04 Filename: 70123785_eng.pdf