

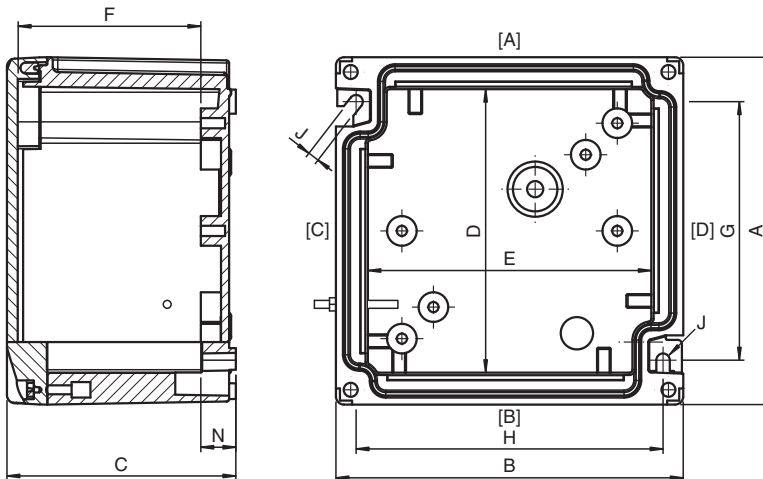
## Junction Box Ex e, Glass-Fiber Reinforced Polyester (GRP)

GR.TJE.10.10.07.B-S0011

- Carbon loaded, antistatic glass-fiber reinforced polyester
- Installation in Zone 1, Zone 2, Zone 21 and Zone 22
- Ex e and Ex tb certified
- 99 mm x 99 mm x 65 mm
- Modern design with high impact resistance
- Easy installation due to easily accessible mounting points
- Easy cover opening without damage due to multiple pry points
- Top face cable gland polyamide, 2x M20; bottom face cable gland polyamide, 2x M20



### Dimensions



Dimension values see data table.

Image and drawing are generic for this device type and may deviate from the specific variant.

### Technical Data

#### Electrical specifications

Operating voltage 352 V AC / DC max.

#### Mechanical specifications

Enclosure cover fully detachable

Cover fixing

Screws M4 stainless steel combination Phillips and slotted screw

Number 4

Tightening torque 1.5 Nm

Cover seal foamed silicone

Degree of protection IP66

Cable entry thru-holes

Cable entry face A

M20 quantity 2

M20 series Cable Glands, Plastic

## Technical Data

M20 type	CG.PEDS1.M20.*
M20 clamping range	6 ... 12 mm
Cable entry face B	
M20 quantity	2
M20 series	Cable Glands, Plastic
M20 type	CG.PEDS1.M20.*
M20 clamping range	6 ... 12 mm
Terminal assembly	
Rail orientation	horizontal
Number of horizontal rails	1
Usable length per horizontal rail	47.5 mm
Terminal type	6 x MUT 4 2 x MUT 4 PE
Terminal capacity	4 mm <sup>2</sup>
Material	
Enclosure	carbon loaded, antistatic glass-fiber reinforced polyester (GRP)
Finish	inherent color black
Mass	approx. 0.35 kg
Dimensions	
External dimension (A)	99 mm
External dimension (B)	99 mm
External dimension (C)	65 mm
Internal dimension (D)	76 mm
Internal dimension (E)	76 mm
Internal dimension (F)	48 mm
Mounting holes distance (G)	66 mm
Mounting holes distance (H)	84 mm
Mounting holes diameter (J)	5 mm
Thickness of mounting brackets (N)	18 mm
Mounting	2 screws
<b>Ambient conditions</b>	
Ambient temperature	-40 ... 60 °C (-40 ... 140 °F)
<b>Data for application in connection with hazardous areas</b>	
EU-type examination certificate	CML 17 ATEX 3255X
Marking	⊕ II 2 GD Ex eb IIC T* Gb Ex tb IIIC T** °C Db T6/T80 °C @ Ta +40 °C T4/T130 °C @ Ta +60 °C
<b>International approvals</b>	
IECEx approval	IECEx CML 17.0144X
UKCA approval	CML 21 UKEX 3896X
Further approvals	further on request
<b>Conformity</b>	
Degree of protection	EN60529
CE marking	0102
<b>General information</b>	
Supplementary information	EC-Type Examination Certificate, Statement of Conformity, Declaration of Conformity, Attestation of Conformity and instructions have to be observed where applicable. For information see <a href="http://www.pepperl-fuchs.com">www.pepperl-fuchs.com</a> .