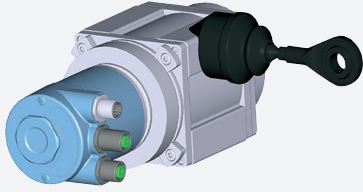


Cable pull rotary encoder

ECA30PL-03C1A-B25AY:OE:01

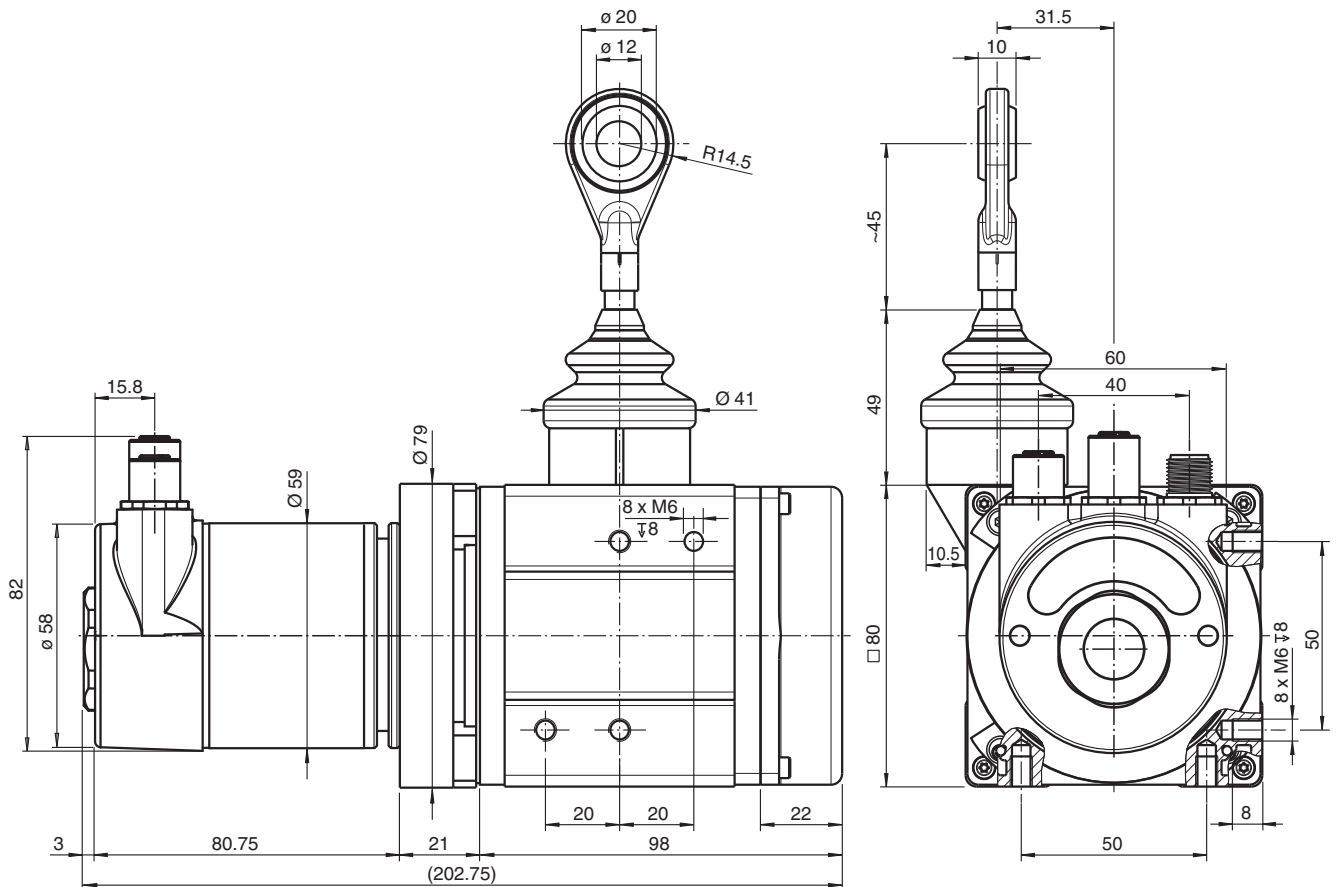


- Rust and acid-resistant measuring cable
- Robust aluminum drum housing
- Resolution: 13 singleturn, 12 bit multiturn

Cable pull rotary encoder with EtherNet/IP interface

CE EtherNet/IP™

Dimensions



Technical Data

General specifications

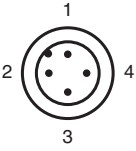
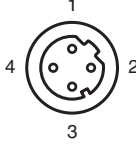
Detection type	photoelectric sampling
Device type	Performance Line

Release date: 2023-01-13 Date of issue: 2023-01-13 Filename: 70124506_eng.pdf

Technical Data

Measuring range		3000 mm
Construction type		80 mm
Electrical specifications		
Operating voltage	U_B	10 ... 30 V DC
No-load supply current	I_0	≥ 350 mA
Interface		
Interface type		EtherNet/IP
Resolution		
Single turn		13 Bit
Multiturn		12 Bit
Overall resolution		25 Bit
Transfer rate		100 MBit/s
Connection		
Connector		Ethernet: 2 sockets M12 x 1, 4-pin, D-coded Supply: 1 plug M12 x 1, 4-pin, A-coded
Standard conformity		
Degree of protection		according DIN EN 60529
Connection side		Encoder: IP65 Cable pull: IP64
Climatic testing		DIN EN 60068-2-3, no moisture condensation
Emitted interference		EN 61000-6-4:2007
Noise immunity		EN 61000-6-2:2005
Ambient conditions		
Ambient temperature		-30 ... 70 °C (-22 ... 158 °F)
Storage temperature		-30 ... 70 °C (-22 ... 158 °F)
Relative humidity		98 % , no moisture condensation
Mechanical specifications		
Rope diameter		1.35 mm
Drum perimeter		200 mm
Retraction speed		8 m/s
Spring retraction force		7 ... 11 N
Material		
Housing		aluminum, coated
Cable pull		anodized aluminum
Flange		anodized aluminum
Rope		Stainless steel 1.4401/316
Mass		1870 g
Life span		up to 10 ⁶ Cycles

Connection

Pin	Male connector M12 x 1, 4-pin, A-coded	Female connector M12 x 1, 4-pin, D-coded
1	Supply voltage +U _B	Tx +
2	-	Rx +
3	0 V	Tx -
4	-	Rx -
		

Indication

Diagnostic LEDs

LED	Color	Description for LED = ON
Active1	Yellow	Incoming and outgoing data traffic for port 1
Link1*	Green	Connection to other Ethernet devices on port 1
Active2	Yellow	Incoming and outgoing data traffic for port 2
Link2*	Green	Connection to other Ethernet devices on port 2
Stat1	Green	Status 1, details see table below
Stat2	Red	Status 2, details see table below

* flashes with 2 Hz if engineering identification call is activated and link connection is available

Stat1 (green)	Stat2 (red) bus failure	Meaning	Cause
off	off	No power	
on	on	No connection to another device Criteria: no data exchange	<ul style="list-style-type: none"> bus disconnected Master not available / switched off
on	flashes ¹⁾	Parameterization fault, no data exchange Criteria: data exchange correct. However, the slave did not switch to the data exchange mode.	<ul style="list-style-type: none"> Slave not configured yet or wrong configuration Wrong station address assigned (but not outside the permitted range) Actual configuration of the slave differs from the nominal configuration
on	off	Data exchange. Slave and operation ok.	

1) flashing frequency 0.5 Hz for at least 3 seconds