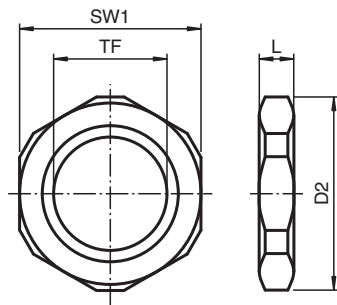


Locknuts

LN.M12.BN.50.K100

- Brass nickel-plated
- Thread M12
- Packaging unit: 100 pieces

Dimensions



Dimension values see data table.

Image and drawing are generic for this component type and may deviate from the specific variant.

Legend

D2	Width across corners
L	Total length
SW1	Width across flats
TF	Thread size female

Technical Data

Mechanical specifications

Thread type	metric ISO pitch 1.5 mm
Thread size female (TF)	M12
Material	brass, nickel-plated
Finish	inherent color silver
Dimensions	
Width across corners (D2)	16.6 mm
Width across flats (SW1)	15 mm
Total length (L)	5 mm


Release date: 2020-08-05 Date of issue: 2020-08-05 Filename: 70125285_eng.pdf

Technical Data

General information

Delivery quantity	100
Scope of delivery	Locknuts

Matching system components

	SP.PE.M12.PA.C.10.K50
---	-----------------------