

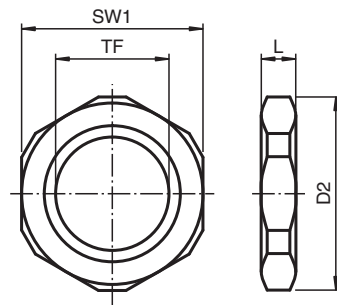


## Locknuts

LN.M16.BN.50.K100

- Brass nickel-plated
- Thread M16
- Packaging unit: 100 pieces

## Dimensions



Dimension values see data table.

Image and drawing are generic for this component type and may deviate from the specific variant.

Legend	
D2	Width across corners
L	Total length
SW1	Width across flats
TF	Thread size female

## Technical Data

### Mechanical specifications

Thread type	metric ISO pitch 1.5 mm
Thread size female (TF)	M16
Material	brass, nickel-plated
Finish	inherent color silver
Dimensions	
Width across corners (D2)	21 mm
Width across flats (SW1)	19 mm
Total length (L)	5 mm




Release date: 2020-08-05 Date of issue: 2020-08-05 Filename: 70125286\_eng.pdf

## Technical Data

### General information

Delivery quantity	100
Scope of delivery	Locknuts

## Matching system components

	SP.MD.M16.BN.C.15.K50
	SP.MD.M16.SS.C.15.K50
	SP.PE.M16.PA.C.15.K50