

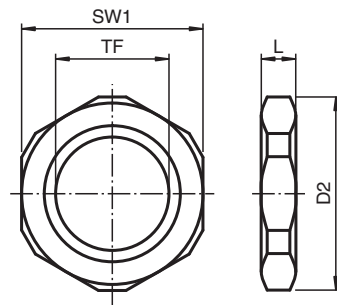


Locknuts

LN.M20.BN.55.K100

- Brass nickel-plated
- Thread M20
- Packaging unit: 100 pieces

Dimensions



Dimension values see data table.

Image and drawing are generic for this component type and may deviate from the specific variant.

Legend	
D2	Width across corners
L	Total length
SW1	Width across flats
TF	Thread size female

Technical Data

Mechanical specifications

Thread type	metric ISO pitch 1.5 mm
Thread size female (TF)	M20
Material	brass, nickel-plated
Finish	inherent color silver
Dimensions	
Width across corners (D2)	26.5 mm
Width across flats (SW1)	24 mm
Total length (L)	5.5 mm


Release date: 2020-08-05 Date of issue: 2020-08-05 Filename: 70125287_eng.pdf

Technical Data

General information

Delivery quantity	100
Scope of delivery	Locknuts

Matching system components

	AD.M20.M16.BN. C.15.K63
	AD.M20.NPT1/2.BN. C.15.K35
	AD.M20.NPT1/2.SS. C.15.K35
	AD.M20.NPT3/4.BN. C.15.K35
	AD.M20.NPT3/4.SS. C.15.K35
	SP.MD.M20.BN.C.15.K50
	SP.MD.M20.SS.C.15.K50
	SP.PE.M20.PA.C.15.K50