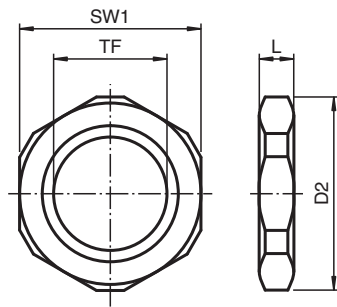


## Locknuts

LN.M25.BN.55.K50

- Brass nickel-plated
- Thread M25
- Packaging unit: 50 pieces

## Dimensions



Dimension values see data table.

Image and drawing are generic for this component type and may deviate from the specific variant.

Legend	
D2	Width across corners
L	Total length
SW1	Width across flats
TF	Thread size female

## Technical Data

### Mechanical specifications

Thread type	metric ISO pitch 1.5 mm
Thread size female (TF)	M25
Material	brass, nickel-plated
Finish	inherent color silver
Dimensions	
Width across corners (D2)	33 mm
Width across flats (SW1)	30 mm
Total length (L)	5.5 mm



Release date: 2020-08-05 Date of issue: 2020-08-05 Filename: 70125288\_eng.pdf

## Technical Data

### General information

Delivery quantity	50
Scope of delivery	Locknuts

## Matching system components

	AD.M25.M20.BN. C.15.K35
	AD.M25.NPT1.BN. C.15.K35
	AD.M25.NPT1.SS. C.15.K35
	AD.M25.NPT1/2.BN. C.15.K35
	AD.M25.NPT1/2.SS. C.15.K35
	AD.M25.NPT3/4.BN. C.15.K35
	AD.M25.NPT3/4.SS. C.15.K35
	SP.MD.M25.BN.C.15.K50
	SP.MD.M25.SS.C.15.K50
	SP.PE.M25.PA.C.15.K25