

# Socket 16A, 3 pole, blue

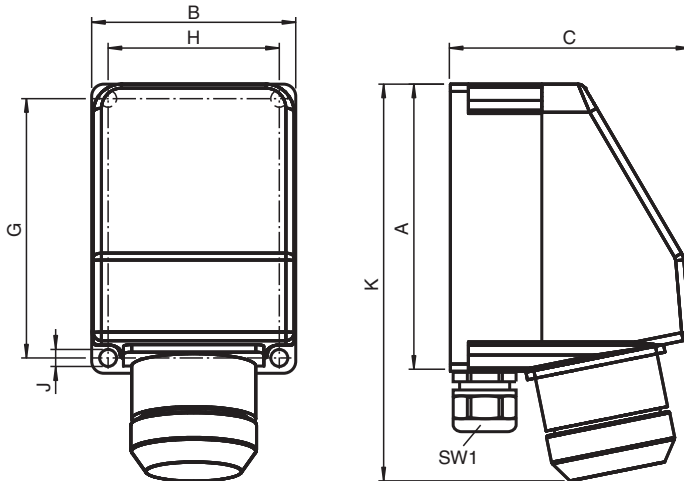
## PS16-430600



- Ex de and Ex t certified
- Glass-fiber reinforced polyester (GRP) enclosure
- Full equipment certified
- Installation in Zone 1, Zone 2, Zone 21 and Zone 22
- Degree of protection IP66
- Degree of protection ensured by means of bayonet catch
- Low insertion force
- Self-cleaning lamellar contacts



### Dimensions



Dimension values see data table.

Image and drawing are generic for this device type and may deviate from the specific variant.

#### Legend

A	External dimension
B	External dimension
C	External dimension, depth
G	Mounting holes distance
H	Mounting holes distance
J	Mounting holes diameter
K	Maximum external dimension
SW1	Cable entry

### Technical Data

#### Electrical specifications

Operating voltage	200 ... 250 V
Operating current	16 A max.
Terminal capacity	

## Technical Data

Main terminals capacity	2.5 mm <sup>2</sup>
Main terminals torque	2.5 Nm
Supply frequency	50/60 Hz
Function	socket
Usage category	AC3: 250 V AC - 16 A
Number of poles	3
Color coding according to IEC 60309	blue
Protective contact position according to IEC 60309	6 h
<b>Mechanical specifications</b>	
Cable type	non-armored cables
Cover fixing	
Screws	M4
Number	4
Tightening torque	2.5 Nm
Degree of protection	IP66
Cable entry	
Number of cable entries	2x M25 1x Cable gland , 1x Stopping Plug
Cable entry face B	
M25 clamping range	8 ... 17 mm
Material	
Housing	carbon loaded, antistatic glass-fiber reinforced polyester (GRP)
Finish	inherent color black
Mass	1.2 kg
Dimensions	
External dimension (A)	156 mm
External dimension (B)	103 mm
External dimension (C)	122 mm
Mounting holes distance (G)	142 mm
Mounting holes distance (H)	86 mm
Mounting holes diameter (J)	6 mm
Maximum external dimension (K)	223 mm
<b>Ambient conditions</b>	
Ambient temperature	-40 ... 55 °C (-40 ... 131 °F)
<b>Data for application in connection with hazardous areas</b>	
EU-type examination certificate	SIRA 11 ATEX 1044
Marking	Ⓔ II 2 GD Ex de IIC T6 Gb Ex t IIIC T80 °C Db
<b>International approvals</b>	
IECEX approval	IECEX SIR 11.0026
<b>Conformity</b>	
Degree of protection	EN 60529
Usage category	IEC / EN 60947
CE marking	0102
Plug connection	IEC 60309
<b>General information</b>	
Supplementary information	EC-Type Examination Certificate, Statement of Conformity, Declaration of Conformity, Attestation of Conformity and instructions have to be observed where applicable. For information see <a href="http://www.pepperl-fuchs.com">www.pepperl-fuchs.com</a> .