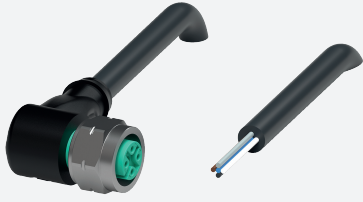


# Female cordset

## V15-WV4A-BK10M-PUR-U

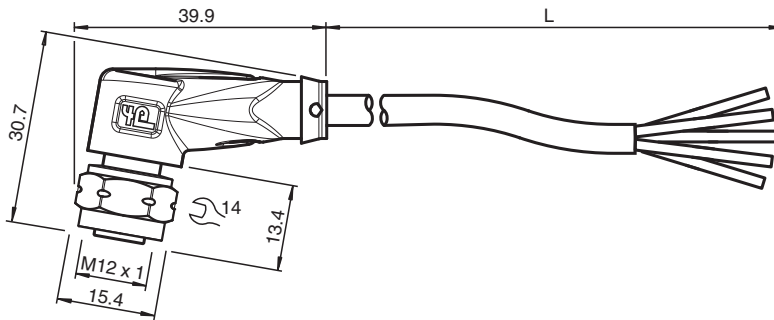


- Suitable for drag chains and abrasion resistant
- Suitable for robotic applications / torsion resistant
- Degree of protection IP68 / IP69
- Free of paint wetting interfering substances
- Resistant to microbes and hydrolysis
- UV resistant
- UL listed for USA and Canada
- Halogen-free
- Screw connection stainless steel
- Specific design protects against loosening and inaccurate installation

Female cordset single-ended M12 angled stainless steel 1.4404, A-coded, 5-pin, PUR cable black, UL approved, drag chain suitable, torsion resistant



### Dimensions



### Technical Data

#### General specifications

|                   |                  |
|-------------------|------------------|
| Connector 1       |                  |
| Connection        | socket           |
| Construction type | M12              |
| Style             | angled           |
| Locking           | screw connection |
| Number of pins    | 5                |
| Coding            | A-coded          |
| Connector 2       |                  |
| Connection        | cable end        |

#### Electrical specifications

|                   |       |                        |
|-------------------|-------|------------------------|
| Operating voltage | $U_B$ | max. 48 V AC / 60 V DC |
| Operating current | $I_B$ | max. 4 A               |

#### Conformity

|                      |                                     |
|----------------------|-------------------------------------|
| Degree of protection | EN 60529                            |
| Plug connection      | connector M12 x 1 : IEC 61076-2-101 |
| Flammability         | UL 1581; DIN EN 60332-2-2           |
| Halogen-free         | IEC 60754-1                         |

#### Approvals and certificates

Release date: 2025-03-13 Date of issue: 2025-03-13 Filename: 70128170-100166\_eng.pdf

## Technical Data

|                                  |   |      |
|----------------------------------|---|------|
| UL approval                      | AWM STYLE 20549 AWM I/II A/B 80°C 300V FT2 (cable)                                      |      |
| UL File Number                   | E231213   |      |
| <b>Ambient conditions</b>        |   |      |
| Ambient temperature              |   |      |
| Plug connector                   | -40 ... 90 °C (-40 ... 194 °F)  |      |
| Cable, fixed installation        | -40 ... 80 °C (-40 ... 176 °F)  |      |
| Cable, flexing                   | -25 ... 80 °C (-13 ... 176 °F)  |      |
| Pollution degree                 | 3   |      |
| <b>Mechanical specifications</b> |   |      |
| Plug connector                   |   |      |
| Tightening torque                | 0.6 Nm  |      |
| Tool installation                | hexagon nut SW = 14 mm  |      |
| Mating cycles                    | min. 100  |      |
| Degree of protection             | IP68 / IP69   |      |
| Cable                            | according to IEC/EN 60228 (DIN VDE 0295) class 6  |      |
| Sheath diameter                  | 4.8 mm  |      |
| Bending radius                   | > 10 x cable diameter, movable installation<br>> 5 x cable diameter, fixed installation |      |
| Sheath stripping force           | max. 80 N / 300 mm  |      |
| Sheath color                     | black (similar to RAL 9005)   |      |
| Number of cores                  | 5   |      |
| Core cross section               | 0.34 mm <sup>2</sup>  |      |
| Cores color                      | Core 1: brown<br>Core 2: white<br>Core 3: blue<br>Core 4: black<br>Core 5: grey         |      |
| Core construction                | 42 x 0.1 mm Ø   |      |
| Length                           | L   | 10 m |
| Cable code                       | Li F 9Y 11Y 5 x 0,34  |      |
| Drag chain suitability           |   |      |
| Drag chain cycles                | min. 5000000  |      |
| Motion velocity                  | max. 3.3 m/s  |      |
| Traverse distance                | max. 5 m  |      |
| Acceleration                     | max. 5 m/s <sup>2</sup>   |      |
| Torsion cycles                   | min. 1000000  |      |
| Torsional stress                 | ± 180 °/m   |      |
| <b>Material</b>                  |   |      |
| PWIS free                        | yes   |      |
| Halogen-free                     | yes   |      |
| Plug connector                   |   |      |
| Screw connection                 | Stainless steel 1.4404 / AISI 316L  |      |
| Body                             | TPU, black  |      |
| Seal                             | FKM   |      |
| Contact surface                  | gold plated (Au)  |      |
| Flammability                     | V-2   |      |
| Cable                            |   |      |
| Sheathing                        | PUR based on polyether  |      |
| Core insulation                  | PP  |      |
| UV resistance                    | yes   |      |
| Chemical resistance              | good  |      |
| Oil resistance                   | yes   |      |
| Cooling lubricant resistance     | yes   |      |
| Microbial resistance             | yes   |      |
| Hydrolysis resistance            | yes   |      |

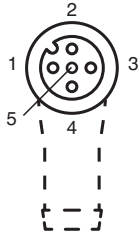
Release date: 2025-03-13 Date of issue: 2025-03-13 Filename: 70128170-100166\_eng.pdf

## Technical Data

Flammability

FT2

## Connection Assignment



|     |       |    |
|-----|-------|----|
| 1 ) | ..... | BN |
| 2 ) | ..... | WH |
| 3 ) | ..... | BU |
| 4 ) | ..... | BK |
| 5 ) | ..... | GY |