

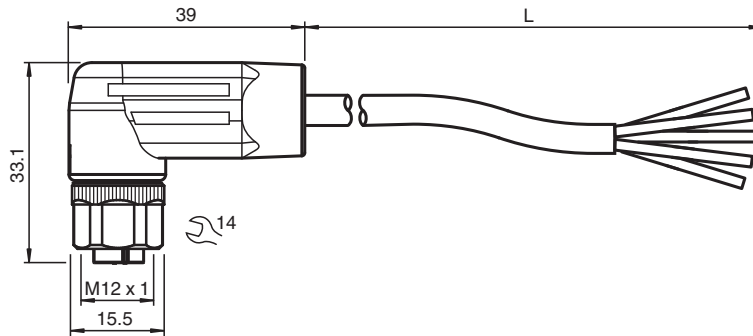
## Female cordset V15L-W-5M-PUR-U

- Degree of protection IP65 / IP67 / IP69
- Free of paint wetting interfering substances
- UL listed for USA and Canada
- Halogen-free
- 600 V AC rated operational voltage
- Screw connection suitable for tool assembly
- Image is generic for this device type and may deviate from the specific variant

Female cordset single-ended M12 angled L-coded, 5-pin, PUR cable grey, UL approved



### Dimensions



### Technical Data

#### General specifications

Connector 1		
Connection		socket
Construction type		M12
Style		angled
Locking		screw connection
Number of pins		5
Coding		L-coded
Connector 2		
Connection		cable end

#### Electrical specifications

Rated operating voltage	$U_e$	600 V AC
Operating voltage	$U_B$	max. 48 V AC / 63 V DC
Operating current	$I_B$	max. 16 A

#### Conformity

Degree of protection		EN 60529
Plug connection		connector M12 x 1 : IEC 61076-2-111
Flammability		IEC 60332-1-2
Halogen-free		DIN VDE 0472-815
Oil resistance		DIN EN 60811-404

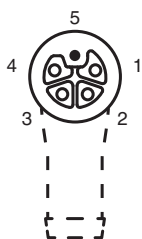
#### Approvals and certificates

Release date: 2023-09-05 Date of issue: 2023-09-05 Filename: 70129024\_eng.pdf

## Technical Data

UL approval	AWM STYLE 20939 80°C 600V VW-1 (cable)	
UL File Number	E520151	
<b>Ambient conditions</b>		
Ambient temperature		
Plug connector	-40 ... 125 °C (-40 ... 257 °F) note derating	
Cable, fixed	-40 ... 90 °C (-40 ... 194 °F) UL -40 ... 80 °C (-40 ... 176 °F)	
Cable, flexing	-30 ... 90 °C (-22 ... 194 °F) UL -30 ... 80 °C (-22 ... 176 °F)	
Pollution degree	3	
<b>Mechanical specifications</b>		
Plug connector		
Tightening torque	0.6 Nm	
Tool installation	straight knurling and hexagon nut SW = 14 mm	
Mating cycles	min. 100	
Degree of protection	IP65/IP67/IP69	
Cable	according to IEC/EN 60228 (DIN VDE 0295) class 5	
Sheath diameter	8 mm	
Bending radius	> 7.5 x cable diameter, moving > 4 x cable diameter, fixed	
Sheath color	grey (similar to RAL 7032)	
Number of cores	5	
Core cross section	1.5 mm <sup>2</sup>	
Cores color	Core 1: brown Core 2: white Core 3: blue Core 4: black Core 5: pink	
Length	L	5 m
Cable code	Li 9Y 11Y 5 x 1,50	
<b>Material</b>		
PWIS free	yes	
Halogen-free	yes	
Plug connector		
Screw connection	Zinc diecast, nickel-plated	
Body	TPE, black	
Seal	FKM	
Contact surface	Cu/Au	
Flammability	HB	
Cable		
Sheathing	PUR	
Core insulation	PP	
Oil resistance	yes	
Flammability	VW-1	

## Connection



1	⌋	.....	BN
2	⌋	.....	WH
3	⌋	.....	BU
4	⌋	.....	BK
5	■	.....	PK

**Accessories****VAZ-V1-B3L**

Blind plug for M12 sockets