

Bracket for 1-D/2-D code handheld readers for VisuNet FLX

HOLDER-BRACKET-3200-IDMx61-B-N

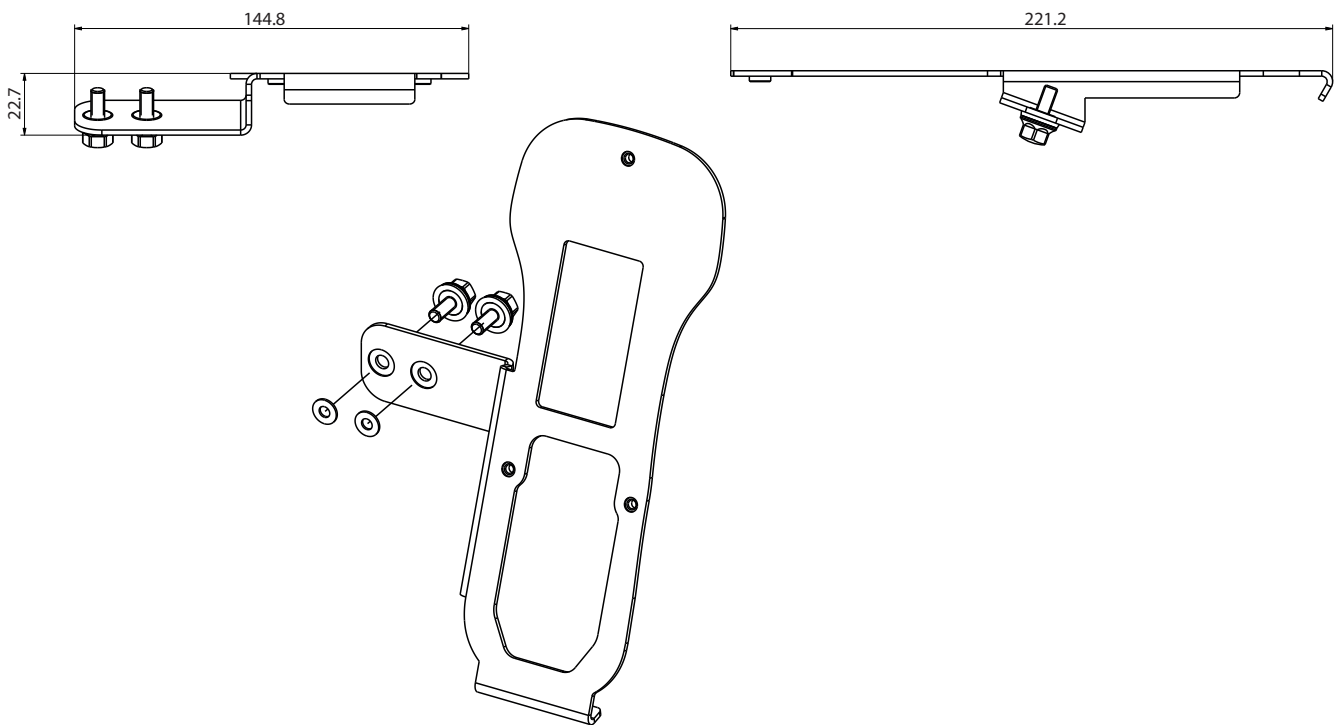
- Mounting bracket
- Simple and fast mounting
- Compatible with AG-3200 housing (adapter included)
- Compatible with 1-D/2-D code handheld reader base stations and chargers

Stainless steel bracket to mount IDM-Zx-x6x-B-Jx-BT-N0 base station to AG-3200 housing

Function

The HOLDER-BRACKET-3200-IDMx61-B-N comes with an adapter and suitable screws for mounting to the AG-3200 housing.

Dimensions



Technical Data

Mechanical specifications

Material	1.4301 stainless steel
Mass	250 g
Mounting	Included in delivery: 2 x M5 screws and mounting adapter Tightening torque: 6 Nm Use the enclosed 3 x M4 screws to tighten the base station to the holder bracket. Refer to the dimension drawing concerning the different lengths of screws. For more information, refer to the VisuNet FLX System manual.