



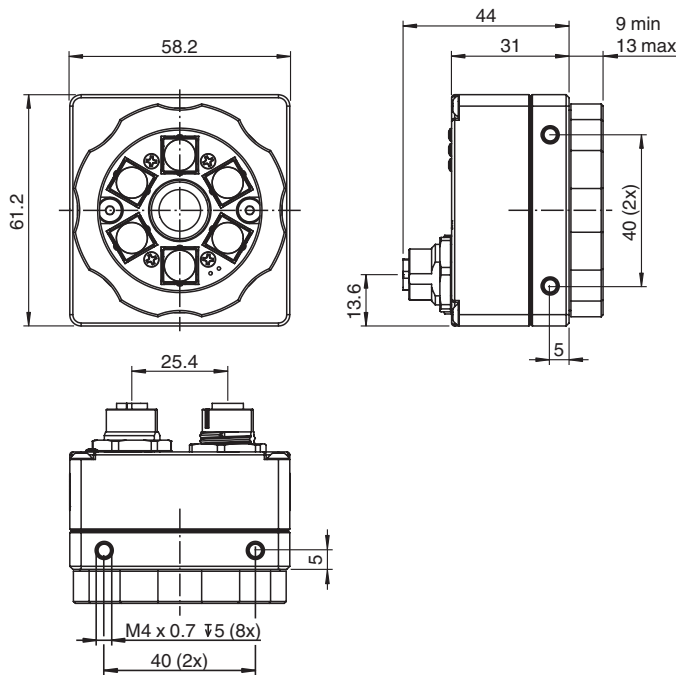
## Vision Sensor VOS2000-F226W-8MM-I

- Reads all standard 1-D and 2-D codes
- Reads DPM codes
- Multi code reading
- Output string formatting
- Code quality output
- 32 Jobs on-board can be saved
- Offline parameterization
- 1.2 megapixel resolution
- Integrated illumination
- Mechanical focus adjustment

Vision sensor for 1-D and 2-D code reading; Resolution: 1280 x 960 pixels; Light source: integrated LED flash, white; Lens: M12 lens; Focal length: 8 mm



### Dimensions



### Technical Data

#### General specifications

Sensing range	55 mm x 41 mm at 100 mm reading distance and min. module size of 0.1 mm (1-D and 2-D barcode) 355 mm x 266 mm at 600 mm reading distance and min. module size of 0.48 mm (1-D barcode) or 0.64 mm (2-D barcode)
Light source	Integrated LED lightning , white
Picture detail	dependant of operating distance

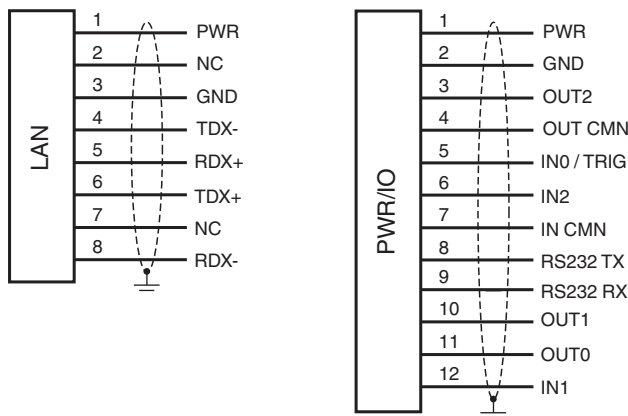
## Technical Data

Readable codes		<b>1-D Codes:</b> Code 128, Code 39, Int 2 of 5, Codabar, UPC-A/E, EAN-8/13, Code 11, Code 32, Plessey, MSI Plessey, Telepen, BC 412, Pharmacode, DataBar, Postcode, Trioptic  <b>2-D Codes:</b> Data Matrix, QR-Code, Micro QR-Code, PDF417, Micro PDF417, Aztec, Han Xin Code, Maxi Code, Grid Matrix, Dotcode
Trigger mode		Free-running or triggered externally
Depth of focus		± 5 % of the operating distance
Focal length		8 mm
Evaluation frequency		30 Hz
Target velocity		max. 4 m/s
Resolution		1280 x 960 pixels
Image sensor		1/3" CMOS monochrom Global Shutter 3.75 µm pixel size
Lens		M12 integrated lens
<b>Parameterization/software</b>		
Parameter assignment		Parameterization via PC user interface VCT Tool
Evaluation procedure		
Identification and Verification		1-D and 2-D codes
<b>Indicators/operating means</b>		
LED 1		Steady blue: sensor started, not set up Steady green: job loaded, ready for execution Flashing green: job loaded and being executed, capture in progress Steady red: sensor fault
LED 2		Flashing blue: starting (duration approx. 20 seconds) Steady green: measurement successful (Pass) Steady blue: measurement borderline (Recycle) Steady red: measurement unsuccessful (Fail)
LED 3		Steady blue: warm reset or restart Steady red/green/yellow: network activity
Focus setting		Focus adjustable via centering
<b>Electrical specifications</b>		
Operating voltage	$U_B$	12 ... 30 V DC
No-load supply current	$I_0$	300 mA
<b>Interface 1</b>		
Interface type		Ethernet
Protocol		PROFINET IO TCP/IP EtherNet/IP
Fieldbus		
Fieldbus type		PROFINET PN IO
Function		Data interface (result output, job change), trigger interface
PROFINET specification		V2.2
Real-time communication		PROFINET IO Real-Time (RT)
PROFINET conformance class		Conformance Class A
Refresh time		typ. 128 ms ( depending on vision application )
Input data		264 Byte - Generic
Output data		264 Byte - Generic
Transfer rate		100 MBit/s
<b>Interface 2</b>		
Interface type		RS-232 , serial
Transfer rate		115.2 kBit/s
<b>Input</b>		
Input type		optically decoupled Inputs
Input voltage		Logic low (OFF): 0 ... 3 V Logic high (ON): 11 ... 30 V Switching threshold: 12 V
Control input		Image capture trigger + 2 general purpose inputs 2 inputs can be used for job switching

## Technical Data

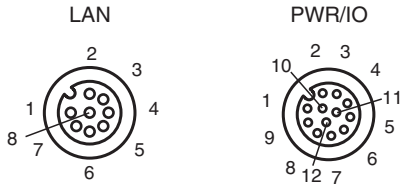
Input current	8 mA ( typical )
Internal protection circuit	3 kΩ / 4000 V ( rms )
Switching delay	Switch-on time (ON): 20 μs Switch-off time (OFF): 10 μs Image capture trigger: 62 μs (until image capture is triggered)
<b>Output</b>	
Output type	3 general purpose outputs , freely programmable , optically decoupled
Switching voltage	max. 30 V
Switching current	max. 100 mA each output
Switching delay	Switch-on time (ON): 150 μs Switch-off time (OFF): 50 μs
<b>Standard conformity</b>	
Emitted interference	EN 61000-6-4:2007+A1:2011
Noise immunity	EN 61000-6-2:2005
<b>Approvals and certificates</b>	
Approvals	CE
<b>Ambient conditions</b>	
Ambient temperature	0 ... 50 °C (32 ... 122 °F)
Storage temperature	-20 ... 60 °C (-4 ... 140 °F)
<b>Mechanical specifications</b>	
Degree of protection	IP67
Connection	8-pin M12 socket A-coded ; 12-pin M12 socket
Material	
Housing	anodized aluminum , plastic
Optical face	Plastic pane
Installation	Mounting bracket
Mass	approx. 200 g
Dimensions	
Height	57 mm
Width	58 mm
Length	61 mm

## Connection Assignment



Release date: 2025-04-03 Date of issue: 2025-04-03 Filename: 70129943\_eng.pdf

# Connection



Release date: 2025-04-03 Date of issue: 2025-04-03 Filename: 70129943\_eng.pdf