



# Ethernet switch unmanaged PoE voltage-boost switch

## ICRL-U-6RJ45-PoE-B-DIN

- Industrial PoE IEEE 802.3af compliant unmanaged switch
- Four 10/100BASE-TX PoE ports and two Gigabit uplink ports
- Total output power budget of 60W (15.4W maximum on each port)
- Voltage boost technology that supports 12 - 24V DC power input sources for transportation, security and industrial applications
- QoS support for optimizing video and VoIP stream
- Alarm relay for failure and event notification
- Wide operating temperature range (-25 to +60 °C)
- Suitable for PROFINET IO and EtherNet/IP

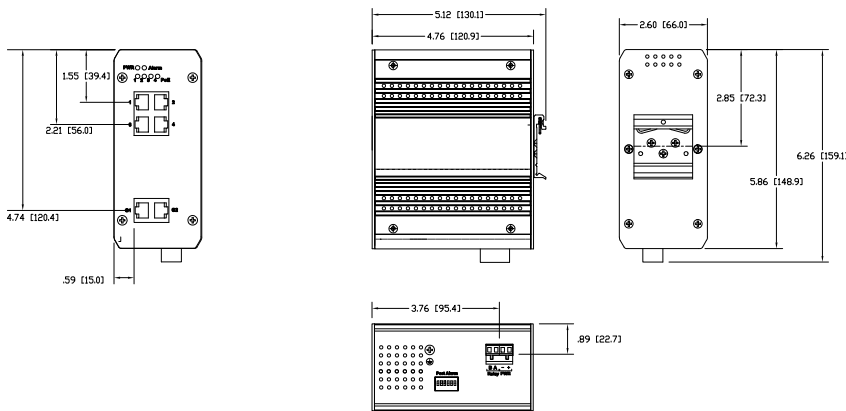
RocketLinX ICRL-U-6RJ45-PoE-B-DIN



### Function

The RocketLinX ICRL-U-6RJ45-PoE-B-DIN is a 6-port unmanaged Power over Ethernet switch designed for use in vehicular and industrial applications. Featuring voltage boost technology it boosts an input voltage of 12 to 24 VDC to 48 VDC on each of its four 802.3af compliant 10/100 Mbps PoE ports. Two 1 Gbps ports connect attached PoE devices to the rest of the network without risk of traffic congestion. The passively cooled design ensures long-term reliability while providing 60 W of power to attached PoE devices in environments ranging in temperature from -25 to +60°C.

### Dimensions



### Technical Data

General specifications	
UL File Number	E185778
MTBF	22.8 a
Ethernet Interface	
Connection type	RJ45
Auto-MDI(-X)	yes
Autonegotiation	yes
Transfer rate	4 - 10BASE-T, 100BASE-TX 10/100 Mbps 2 - 10BASE-T, 100BASE-TX, 1000BASE-T 10/100/1000 Mbps
Cable type	Category 5e or better
PoE features	
Type	PoE output Mode: Alternative B
Max. total power	60 W

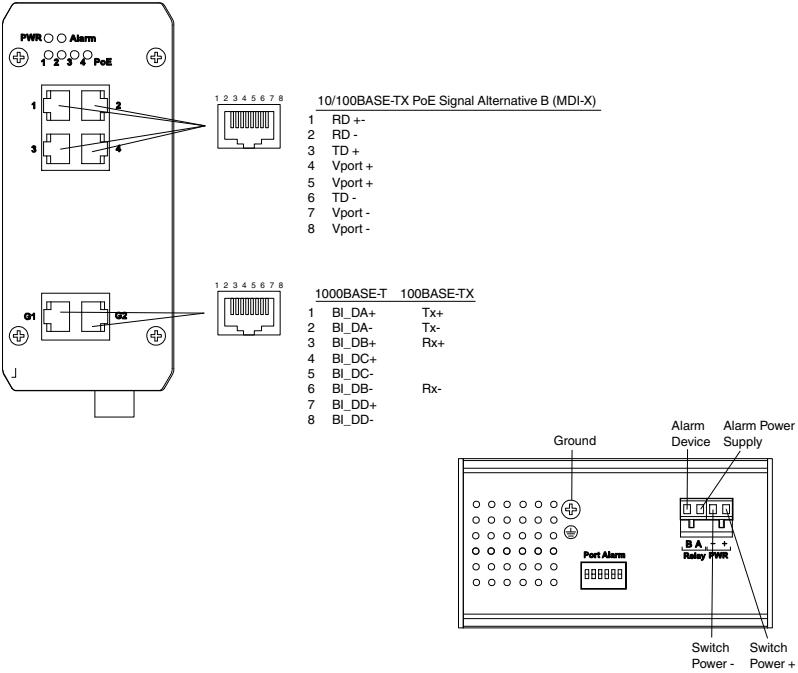
Release date: 2025-07-05 Date of issue: 2025-07-05 Filename: 70130975\_eng.pdf

## Technical Data

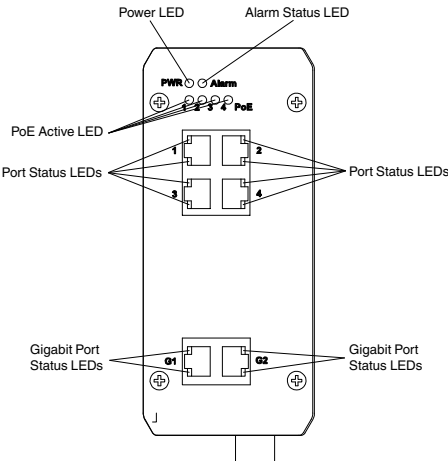
<b>Standards</b>		
IEEE 802.3 10BASE-T		yes
IEEE 802.3u 100BASE-TX		yes
IEEE 802.3x Flow Control and Back-pressure		yes
IEEE 802.1p Class of Service (CoS)		yes
IEEE 802.3ab 1000BASE-T		yes
IEEE802.3af Power over Ethernet (PoE)		yes
<b>Indicators/operating means</b>		
LED indication		see manual
<b>Electrical specifications</b>		
Rated operating voltage	U <sub>e</sub>	12 ... 24 V DC
Power consumption		8.3 W max. 24 V without PD loading
General information		Digital output (relay output) rating 1 A Max. @ 24 V DC, Digital input , Alarm relay for failure and event notification
Nominal voltage	U <sub>N</sub>	12 V , 24 V
<b>Inputs/Outputs</b>		
Number/Type		4 x RJ45 (Fast Ethernet) 2 x RJ45 (Gigabit)
<b>Directive conformity</b>		
Electromagnetic compatibility		
Directive 2014/30/EU		EN 55032:2015 , EN 55032:2015+A11:2020 , EN 55035:2017/A11:2020 , EN 61000-6-2:2005 , EN 61000-6-4:2007 , EN 61000-6-4/A1:2011-02
RoHS		
Directive 2011/65/EU (RoHS)		EN IEC 63000:2018
<b>Standard conformity</b>		
Electrical safety		CSA C22.2 No. 60950 / CSA C22.2 No. 60950/UL60950
Emitted interference		EN 55032, FCC Part 15 Subpart B, ICES-003, AS/NZS CISPR 32
Noise immunity		EN 55032
<b>Ambient conditions</b>		
Ambient temperature		-25 ... 60 °C (-13 ... 140 °F)
Storage temperature		-40 ... 80 °C (-40 ... 176 °F)
Relative humidity		max. 95 %
Altitude		0 ... 3048 m
<b>Mechanical specifications</b>		
Degree of protection		IP30
Connection		Power Supply Terminal Block (4-pin) Ethernet 6 x RJ45
Material		
Housing		Aluminum
Mass		1.05 kg
Dimensions		
Height		131.2 mm with DIN rail clip
Width		66 mm
Length		149 mm
Construction type		Cabinet module
Mounting		DIN rail or direct panel mounting

Release date: 2025-07-05 Date of issue: 2025-07-05 Filename: 70130975\_eng.pdf

# Connection



# Indication



Release date: 2025-07-05 Date of issue: 2025-07-05 Filename: 70130975\_eng.pdf