



# Ethernet switch unmanaged PoE voltage-boost switch

## ICRL-U-10RJ45-PoE-B-DIN

- Industrial PoE IEEE 802.3af compliant unmanaged switch
- Eight 10/100BASE-TX PoE ports and two Gigabit uplink ports
- Total output power budget of 80W (15.4W maximum on each port)
- Voltage boost technology that supports 8 - 32V DC power input sources for transportation, security and industrial applications
- QoS support for optimizing video and VoIP stream
- Alarm relay for failure and event notification
- Extended operating temperature range (-40 to +70 °C)
- Suitable for PROFINET IO and EtherNet/IP

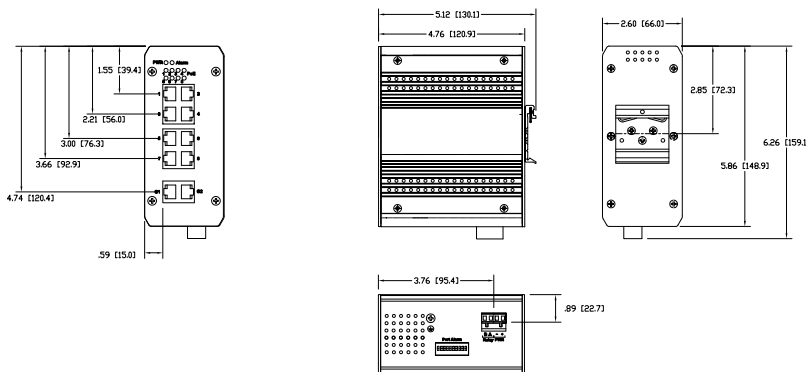
RocketLinX ICRL-U-10RJ45-PoE-B-DIN



### Function

The RocketLinX ICRL-U-10RJ45-PoE-B-DIN is a 10-port unmanaged Power over Ethernet switch designed for use in vehicular and industrial applications. Featuring voltage boost technology it boosts an input voltage of 8 to 32 VDC to 48 VDC on each of its eight 802.3af compliant 10/100 Mbps PoE ports. Two 1 Gbps ports connect attached PoE devices to the rest of the network without risk of traffic congestion. The passively cooled design ensures long-term reliability while providing 80 W of power to attached PoE devices in environments ranging in temperature from -25 to +60°C.

### Dimensions



### Technical Data

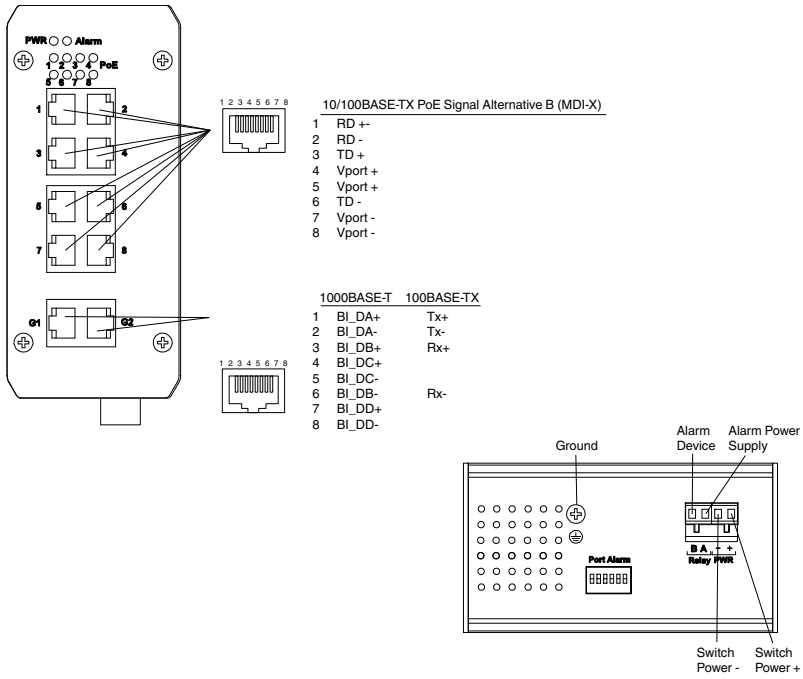
General specifications	
UL File Number	E185778
MTBF	22.8 a
Ethernet Interface	
Connection type	RJ45
Auto-MDI(-X)	yes
Autonegotiation	yes
Transfer rate	8 - 10BASE-T, 100BASE-TX 10/100 Mbps 2 - 10BASE-T, 100BASE-TX, 1000BASE-T 10/100/1000 Mbps
Cable type	Category 5e or better
PoE features	
Type	PoE output Mode: Alternative B
Max. total power	80 W
Standards	

Release date: 2025-07-05 Date of issue: 2025-07-05 Filename: 70130976\_eng.pdf

## Technical Data

IEEE 802.3 10BASE-T		yes
IEEE 802.3u 100BASE-TX		yes
IEEE 802.3x Flow Control and Back-pressure		yes
IEEE 802.1p Class of Service (CoS)		yes
IEEE 802.3ab 1000BASE-T		yes
IEEE802.3af Power over Ethernet (PoE)		yes
<b>Indicators/operating means</b>		
LED indication		see manual
<b>Electrical specifications</b>		
Rated operating voltage	U <sub>e</sub>	8 ... 32 V DC
Power consumption		15 W max. 24 V without PD loading
General information		Digital output (relay output) rating 1 A Max. @ 24 V DC, Digital input , Alarm relay for failure and event notification
Nominal voltage	U <sub>N</sub>	12 V , 24 V
<b>Inputs/Outputs</b>		
Number/Type		8 x RJ45 (Fast Ethernet) 2 x RJ45 (Gigabit)
<b>Directive conformity</b>		
<b>Electromagnetic compatibility</b>		
Directive 2014/30/EU		EN 55032:2015 , EN 55032:2015+A11:2020 , EN 55035:2017/A11:2020 , EN 61000-6-2:2005 , EN 61000-6-4:2007 , EN 61000-6-4/A1:2011-02
<b>RoHS</b>		
Directive 2011/65/EU (RoHS)		EN IEC 63000:2018
<b>Standard conformity</b>		
Electrical safety		CSA C22.2 No. 60950 / CSA C22.2 No. 60950/UL60950
Emitted interference		EN 55032, FCC Part 15 Subpart B, ICES-003, AS/NZS CISPR 32
Noise immunity		EN 55032
<b>Ambient conditions</b>		
Ambient temperature		-40 ... 70 °C (-40 ... 158 °F)
Storage temperature		-40 ... 80 °C (-40 ... 176 °F)
Relative humidity		max. 95 %
Altitude		0 ... 3048 m
<b>Mechanical specifications</b>		
Degree of protection		IP30
Connection		Power Supply Terminal Block (4-pin) Ethernet 10 x RJ45
<b>Material</b>		
Housing		Aluminum
Mass		1.05 kg
<b>Dimensions</b>		
Height		131.2 mm with DIN rail clip
Width		66 mm
Length		149 mm
Construction type		Cabinet module
Mounting		DIN rail or direct panel mounting

## Connection



## Indication

