



Ethernet switch unmanaged PoE gigabit

ICRL-U-5RJ45-PoE-G-DIN

- Five - Gigabit RJ45 PoE ports
- Rugged housing for use in harsh environments
- 9K bytes jumbo frame for large file transfers
- Power event alarm
- Redundant power input 44-57V DC
- Extended temperature range -40 to +75 °C
- Suitable for PROFINET IO and EtherNet/IP

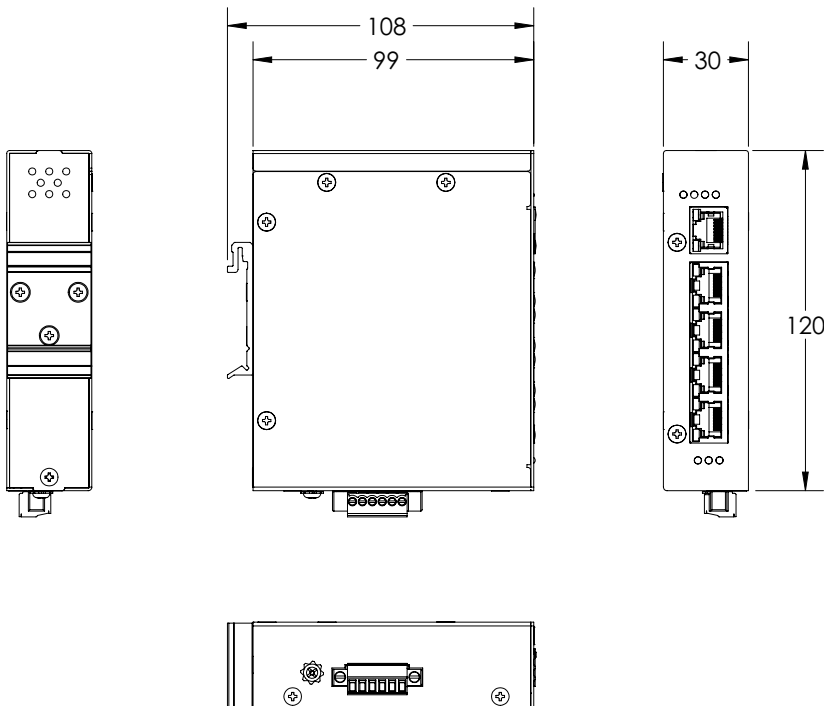
Ethernet unmanaged PoE switch with 5 RJ45 gigabit ports and fault alarm



Function

The RocketLinx ICRL-U-5RJ45-PoE-G-DIN is a 5-port unmanaged Power over Ethernet switch designed for use in industrial applications. Four 802.3at compliant Gigabit ports each provide up to 25.5 W of power to an attached PoE device. A fifth Gigabit port connects those devices to the rest of the network. The passively cooled design ensures long-term reliability while providing 112 W of power to attached PoE devices in environments ranging in temperature from -40 to +75°C.

Dimensions



Technical Data

General specifications

| | |
|----------------|------------|
| UL File Number | E185778 |
| MTBF | 44.5 years |

Ethernet Interface

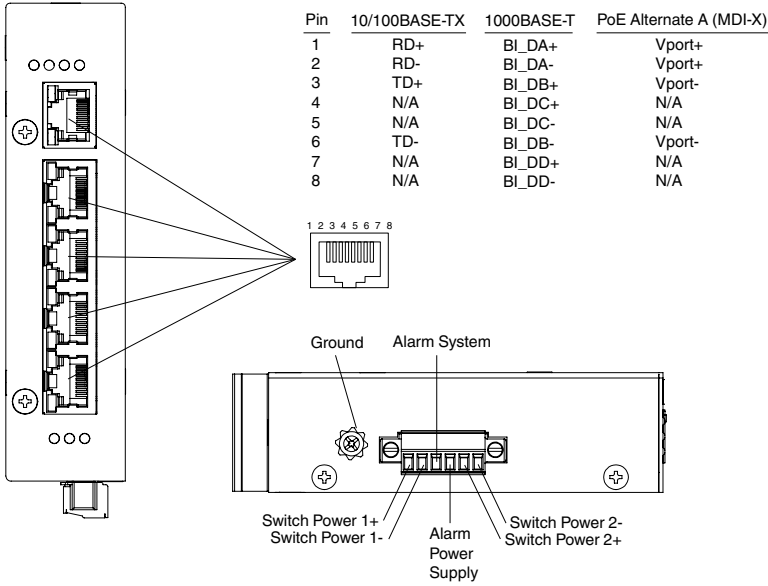
| | |
|-----------------|------|
| Connection type | RJ45 |
| Auto-MDI(-X) | yes |

Release date: 2024-09-04 Date of issue: 2024-09-04 Filename: 70130977_eng.pdf

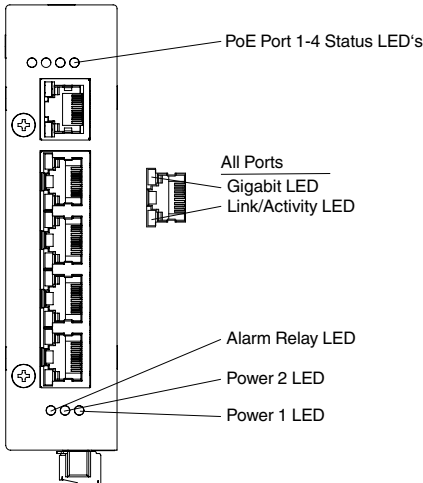
Technical Data

| | | |
|--|----------------|---|
| Autonegotiation | | yes |
| Transfer rate | | 5 - 10BASE-T, 100BASE-TX, 1000BASE-T 10/100/1000 Mbps |
| Cable type | | Category 5e or better |
| PoE features | | |
| Type | | PoE output Mode: Alternative A |
| Max. total power | | 112 W @ 52 V |
| Standards | | |
| IEEE 802.3 10BASE-T | | yes |
| IEEE 802.3u 100BASE-TX | | yes |
| IEEE 802.3x Flow Control and Back-pressure | | yes |
| IEEE 802.3ab 1000BASE-T | | yes |
| IEEE802.3af Power over Ethernet (PoE) | | yes |
| IEEE802.3at Power over Ethernet (PoE) Plus | | yes |
| Indicators/operating means | | |
| LED indication | | see manual |
| Electrical specifications | | |
| Rated operating voltage | U _e | 44 ... 57 V DC |
| Power consumption | | 3 W @ 60 V DC |
| General information | | Redundant power, polarity reverse protection, power fault alarm, relay output rating 1 A Max. @ 24 V DC |
| Nominal voltage | | 48 V , 60 V |
| Inputs/Outputs | | |
| Number/Type | | 5 x RJ45 |
| Directive conformity | | |
| Electromagnetic compatibility | | |
| Directive 2014/30/EU | | EN 50121-1:2017 , EN 50121-4:2016 , EN 55032:2015 , EN 55032:2015+A11:2020 , EN 55035:2017/A11:2020 , EN 61000-6-2:2005 , EN 61000-6-4:2007 + A1:2011 |
| RoHS | | |
| Directive 2011/65/EU (RoHS) | | EN IEC 63000:2018 |
| Standard conformity | | |
| Electromagnetic compatibility | | |
| | | EN 50121-4 |
| Electrical safety | | |
| | | CSA C22.2 No. 60950 / CSA C22.2 No. 60950/UL60950 |
| Emitted interference | | |
| | | EN 55032, FCC Part 15 Subpart B, ICES-003, AS/NZS CISPR 32 |
| Noise immunity | | |
| | | EN 55032, EN61000-6-2 |
| Ambient conditions | | |
| Ambient temperature | | |
| | | -40 ... 75 °C (-40 ... 167 °F) |
| Storage temperature | | |
| | | -40 ... 85 °C (-40 ... 185 °F) |
| Relative humidity | | |
| | | max. 95 % |
| Altitude | | |
| | | 0 ... 3048 m |
| Mechanical specifications | | |
| Degree of protection | | |
| | | IP30 |
| Connection | | |
| | | Power Supply Terminal Block Ethernet 5 x RJ45 |
| Material | | |
| Housing | | Aluminum |
| Mass | | |
| | | 650 g |
| Dimensions | | |
| Height | | 120 mm |
| Width | | 30 mm |
| Length | | 99 mm |
| Construction type | | |
| | | Cabinet module |
| Mounting | | |
| | | DIN rail or direct panel mounting |

Connection Assignment



Indication



Release date: 2024-09-04 Date of issue: 2024-09-04 Filename: 70130977_eng.pdf