



Ethernet switch unmanaged PoE gigabit

ICRL-U-4RJ45/SFP-PoE-G-DIN

- Four - Gigabit RJ45 PoE ports and one Gigabit SFP slot
- Rugged housing for use in harsh environments
- 9K bytes jumbo frame for large file transfers
- Power event alarm
- Redundant power input 44-57V DC
- Extended temperature range -40 to +75 °C
- Suitable for PROFINET IO and EtherNet/IP

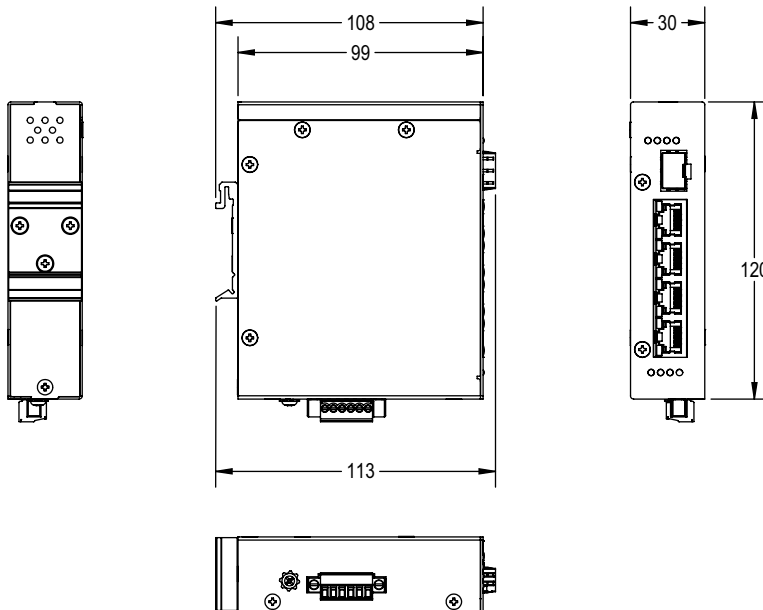
Ethernet unmanaged PoE switch with 4 RJ45 gigabit ports, one gigabit SFP slot and fault alarm



Function

The RocketLinx ICRL-U-4RJ45/SFP-PoE-G-DIN is a 5-port unmanaged Power over Ethernet switch designed for use in industrial applications. Four 802.3at compliant Gigabit ports each provide up to 25.5 W of power to an attached PoE device. A Gigabit SFP slot provides a modular fiber optic interface to connect attached devices to the rest of the network. The passively cooled design ensures long-term reliability while providing 112 W of power to attached PoE devices in environments ranging in temperature from -40 to +75°C.

Dimensions



Technical Data

General specifications

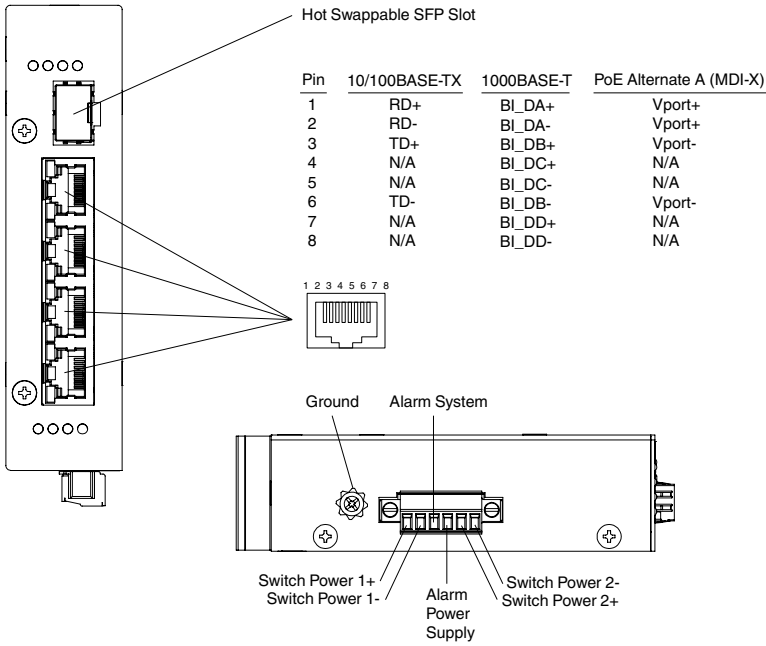
UL File Number	E185778
MTBF	45.3 years
Ethernet Interface	
Connection type	RJ45, SFP
Auto-MDI(-X)	yes
Autonegotiation	yes
Transfer rate	4 - 10BASE-T, 100BASE-TX, 1000BASE-T 10/100/1000 Mbps 1 - 100BASE-FX, 1000BASE-FX 100/1000 Mbps

Release date: 2024-09-04 Date of issue: 2024-09-04 Filename: 70130979_eng.pdf

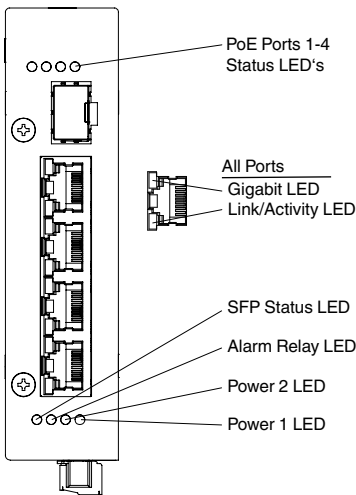
Technical Data

Cable type		Category 5e or better
PoE features		
Type		PoE output Mode: Alternative A
Max. total power		112 W @ 52 V
Standards		
IEEE 802.3 10BASE-T		yes
IEEE 802.3u 100BASE-TX		yes
IEEE 802.3x Flow Control and Back-pressure		yes
IEEE 802.3ab 1000BASE-T		yes
IEEE802.3af Power over Ethernet (PoE)		yes
IEEE802.3at Power over Ethernet (PoE) Plus		yes
Indicators/operating means		
LED indication		see manual
Electrical specifications		
Rated operating voltage	U _e	44 ... 57 V DC
Power consumption		3.6 W @ 60 V DC
General information		Redundant power, polarity reverse protection, power fault alarm, relay output rating 1 A Max. @ 24 V DC
Nominal voltage		48 V , 60 V
Inputs/Outputs		
Number/Type		4 x RJ45 , 1 x SFP
Directive conformity		
Electromagnetic compatibility		
Directive 2014/30/EU		EN 50121-1:2017 , EN 50121-4:2016 , EN 55032:2015 , EN 55032:2015+A11:2020 , EN 55035:2017/A11:2020 , EN 61000-6-2:2005 , EN 61000-6-4:2007 + A1:2011
RoHS		
Directive 2011/65/EU (RoHS)		EN IEC 63000:2018
Standard conformity		
Electromagnetic compatibility		
		EN 50121-4
Electrical safety		
		CSA C22.2 No. 60950 / CSA C22.2 No. 60950/UL60950
Emitted interference		
		EN 55032, FCC Part 15 Subpart B, ICES-003, AS/NZS CISPR 32
Noise immunity		
		EN 55032, EN61000-6-2
Ambient conditions		
Ambient temperature		
		-40 ... 75 °C (-40 ... 167 °F)
Storage temperature		
		-40 ... 85 °C (-40 ... 185 °F)
Relative humidity		
		max. 95 %
Altitude		
		0 ... 3048 m
Mechanical specifications		
Degree of protection		
		IP30
Connection		
		Power Supply Terminal Block Ethernet 4 x RJ45 , 1 x SFP
Material		
Housing		Aluminum
Mass		
		650 g
Dimensions		
Height		120 mm
Width		30 mm
Length		99 mm
Construction type		
		Cabinet module
Mounting		
		DIN rail or direct panel mounting

Connection



Indication



Release date: 2024-09-04 Date of issue: 2024-09-04 Filename: 70130979_eng.pdf