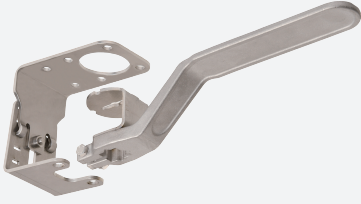


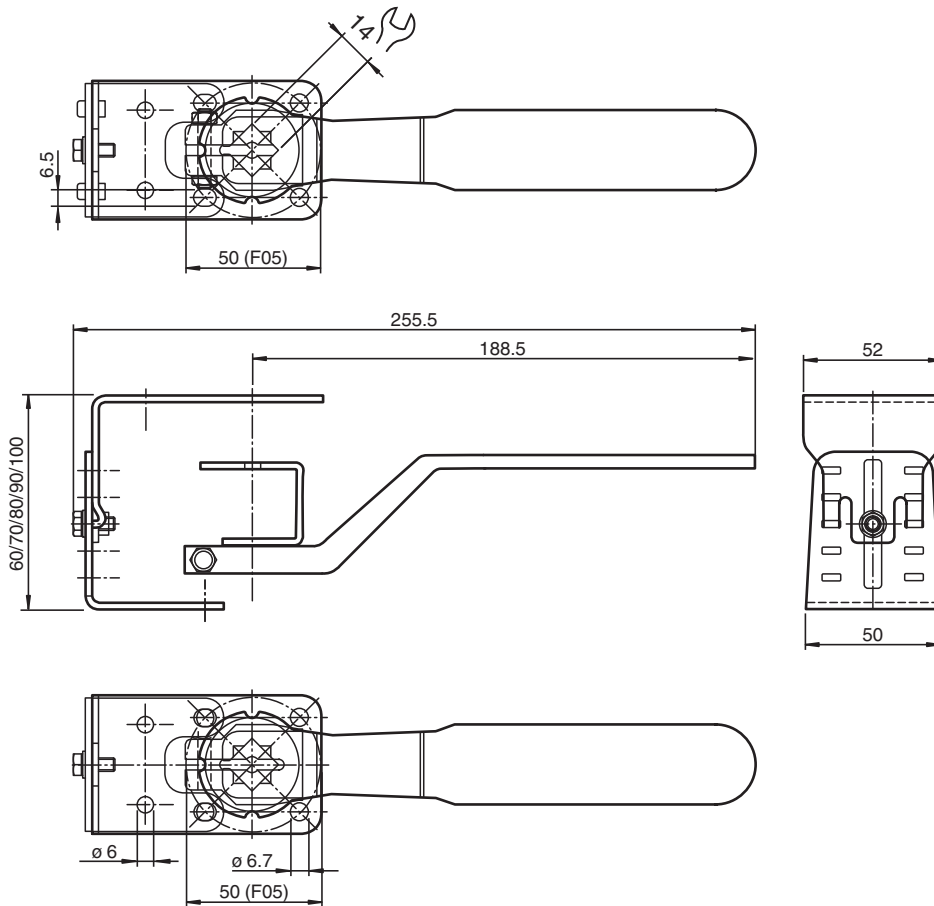
# Mounting set MHV-BT-F05-G14



- Simple mounting
- No hole required in drive shaft
- Hand lever included
- All-in-one stainless steel solution
- Conforming to standards
- Adjustable in height

Adjustable assembly set for sizes F05 manual operated valves according to EN ISO5211, square shaft G=14 mm, minimum height 16 mm

## Dimensions





## Technical Data

### General specifications

## Technical Data

Suitable sensors and	Double sensors, -F25 series with actuator BT32... Double sensors, -F25K series with actuator BT32... Double sensors, -F31 series with actuator BT65... Double sensors, -F31K series with actuator BT65... Double sensors, -F31K2 series with actuator BT65...
<b>Standard conformity</b>	
Standards	DIN EN ISO 5211 / DIN 3337
<b>Mechanical specifications</b>	
Material	stainless steel 1.4301 / AISI 304 for plates and sheet metal bending parts Stainless steel 1.4305 / AISI 303 for shaft Stainless steel 1.4408 / AISI 316 for handle
Mass	505 g
<b>General information</b>	
Note	For the mounting set, an adapter plate and depending on this, and further accessories must be ordered.

## Matching System Components

	<b>MHV-BT-F25/F31</b>	Adapter plate for double sensors -F25/-F31 series
	<b>MHV-BT-F31K/F31K2</b>	Adapter plate for double sensors F31K/-F31K2 series