

Mounting Kit

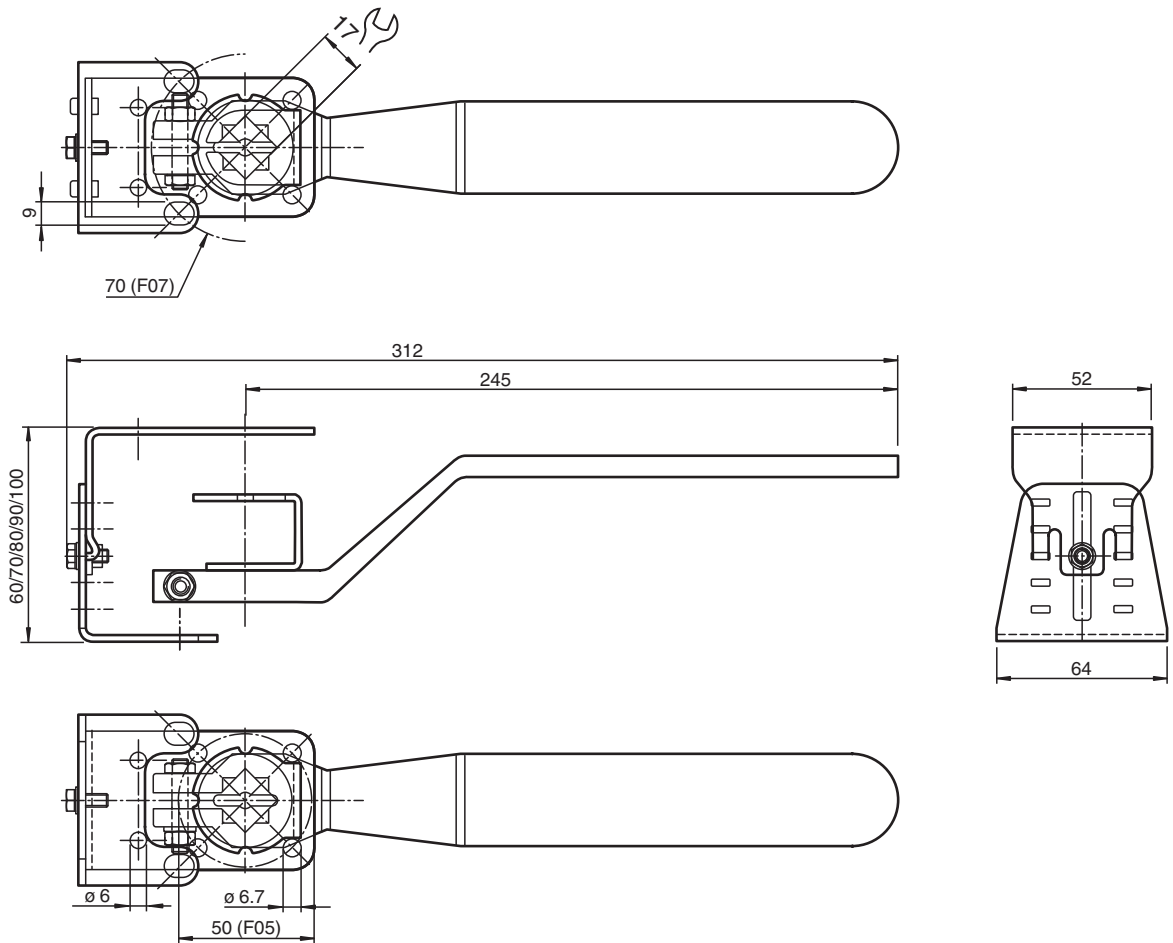
MHV-BT-F07-G17



- Simple mounting
- No hole required in drive shaft
- Hand lever included
- All-in-one stainless steel solution
- Conforming to standards
- Adjustable in height

Adjustable assembly set for sizes F07 manual operated valves according to EN ISO5211, square shaft G= 17 mm, minimum height 19 mm

Dimensions



Technical Data

General specifications

Technical Data

Suitable sensors and	Dual sensors, -F25 series with actuator BT32... Dual sensors, -F25K series with actuator BT32... Dual sensors, -F31 series with actuator BT65... Dual sensors, -F31K series with actuator BT65... Dual sensors, -F31K2 series with actuator BT65...
Standard conformity	
Standards	DIN EN ISO 5211 / DIN 3337
Mechanical specifications	
Material	stainless steel 1.4301 / AISI 304 for plates and sheet metal bending parts Stainless steel 1.4305 / AISI 303 for shaft Stainless steel 1.4408 / AISI 316 for handle
Mass	731 g
Dimensions	
Width	64 mm
Length	312 mm
General information	
Note	For the mounting set, an adapter plate and depending on this, and further accessories must be ordered.