

# Adapter plate

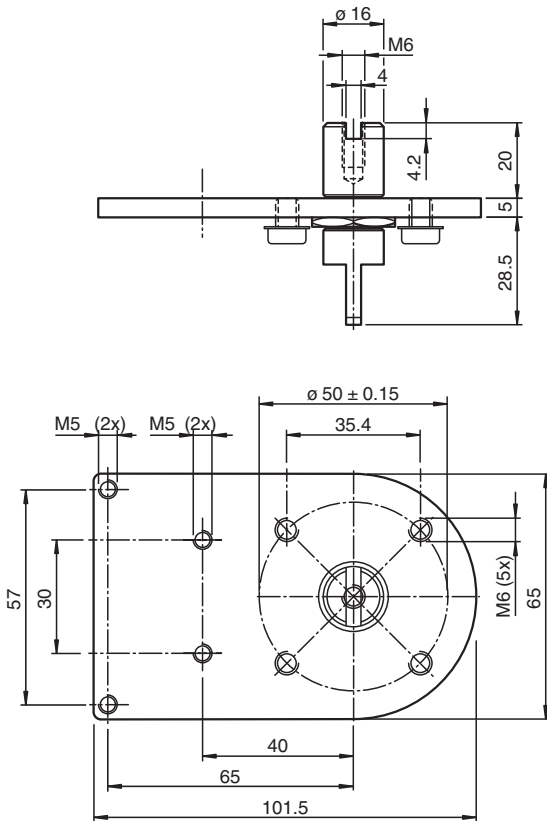
## MHV-BT-F25/F31



- Simple mounting
- All-in-one stainless steel solution
- Minimal friction due to ball bearing
- Conforming to standards

Adapter plate for dual sensors -F25/-F31 series

### Dimensions



### Technical Data

#### General specifications

Suitable sensors and

Dual sensors, -F25 series with actuator BT32...  
Dual sensors, -F25K series with actuator BT32...  
Dual sensors, -F31 series with actuator BT65...

#### Standard conformity

Standards

VDI / VDE 3845  
DIN EN ISO 5211

#### Mechanical specifications

**Technical Data**

Shaft diameter	16 mm
Shaft height	20 mm
Mounting hole pattern	sensor: 30 x 80 mm, M5 screw mounting bracket: 4 x 50 mm, M6 screw
Material	stainless steel 1.4301 / AISI 304 for plates and sheet metal bending parts Stainless steel 1.4305 / AISI 303 for shaft
Mounting materials	stainless steel socket cap head screws 4 x M6 x 8 mm
Mass	300 g
Dimensions	
Height	53.5 mm
Width	65 mm
Length	101.5 mm