

Adapter plate

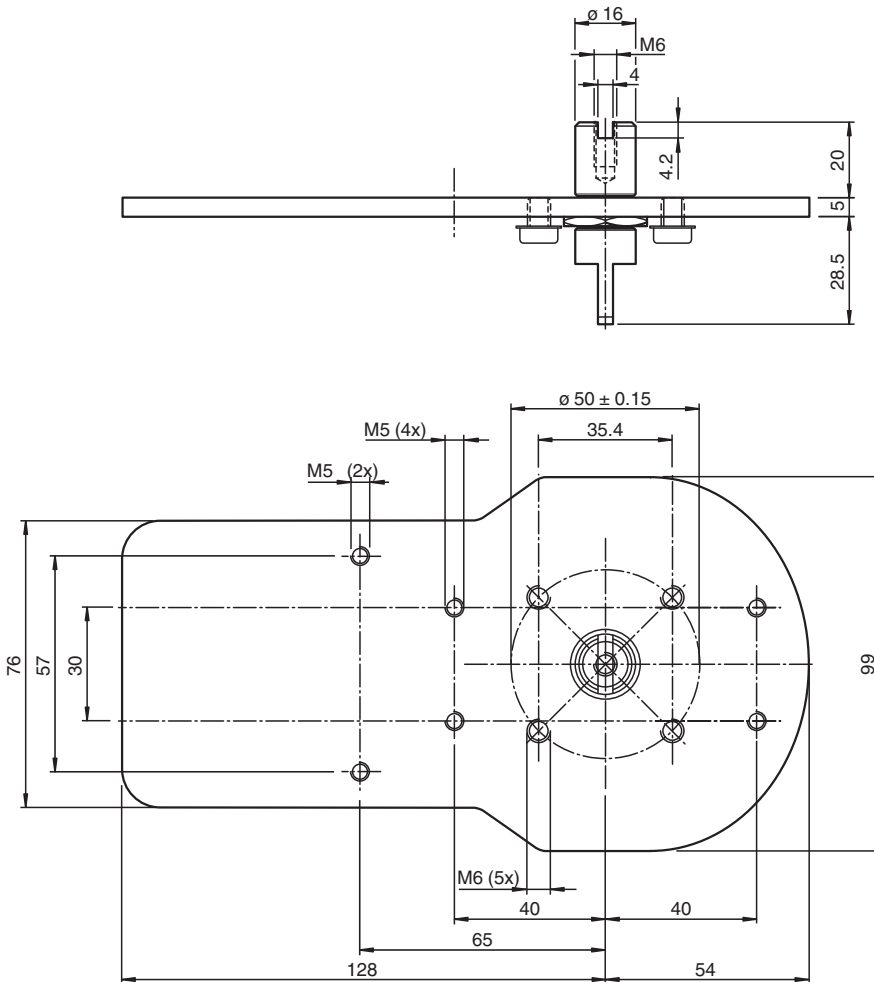
MHV-BT-F31K/F31K2



- Simple mounting
- All-in-one stainless steel solution
- Minimal friction due to ball bearing
- Conforming to standards

Adapter plate for dual sensors F31K/-F31K2 series

Dimensions



Technical Data

General specifications

Suitable sensors and

Dual sensors, -F31K series with actuator BT65...
Dual sensors, -F31K2 series with actuator BT65...

Technical Data

Standard conformity	
Standards	VDI / VDE 3845 DIN EN ISO 5211
Mechanical specifications	
Shaft diameter	16 mm
Shaft height	20 mm
Mounting hole pattern	sensor: 30 x 80 mm, M5 screw mounting bracket: 4 x 50 mm, M6 screw
Material	stainless steel 1.4301 / AISI 304 for plates and sheet metal bending parts Stainless steel 1.4305 / AISI 303 for shaft
Mounting materials	stainless steel socket cap head screws 4 x M6 x 8 mm
Mass	636 g
Dimensions	
Height	53.5 mm
Width	99 mm
Length	182 mm