

Mounting bracket

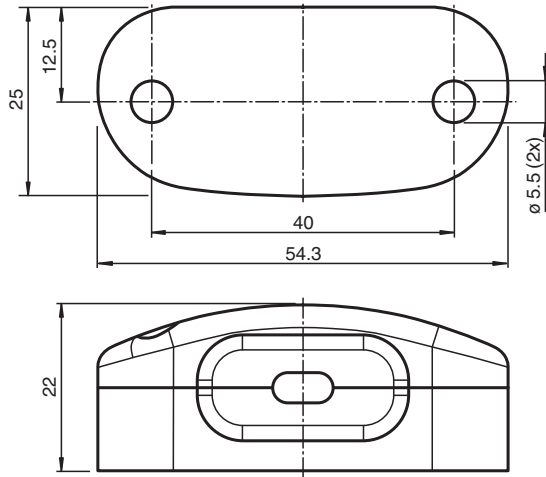
USI-MH-27X13-H-01



- Screw mounting for simple installation
- Robust construction

Horizontal mounting bracket exclusively for ultrasonic transducers of the USi ultrasonic sensor systems

Dimensions



Technical Data

Ambient conditions	
Ambient temperature	-40 ... 80 °C (-40 ... 176 °F)
Storage temperature	-40 ... 85 °C (-40 ... 185 °F)
Mechanical specifications	
Material	
Housing	PA12
Mounting materials	2 x cylinder head screw M5x12 (included with delivery) 2 x cylinder head screw M3x8 (included with delivery)
Tightening torque, fastening screws	for screw M5 : max. 1.5 Nm for screw M3 : max. 0.5 Nm
Dimensions	25 mm x 54.3 mm x 22 mm
Height	22 mm
Width	54.3 mm
Length	25 mm

Release date: 2024-10-17 Date of issue: 2024-10-17 Filename: 70131325_eng.pdf

Commissioning

This component is only intended for use in conjunction with the ultrasonic sensor system USi-safety or USi-industry. Further details, mounting and commissioning instructions can be found in the corresponding documentation on the relevant product page at www.pepperl-fuchs.com.