



## Technical Data

Transfer rate	10/100 Mbit/s , Auto-Negotiation	
Operating mode	half/full duplex	
Cable type	CAT5e S/FTP AWG 24, Installation cable, L/R ratio max. 10 µH/Ω of all strand combinations	
I.S. cable length	typ. 100 m/20 °C	
Total cable length	typ. 200 m/20 °C	
Number of isolators	max. 2 in series connection	
<b>Indicators/operating means</b>		
LED PWR	green: Power on	
LED ACT	yellow: communication active	
LED 10/100	yellow ON: Transfer rate 100 MBit/s , OFF: 10 MBit/s	
<b>Directive conformity</b>		
Electromagnetic compatibility		
Directive 2014/30/EU	EN 61326-1:2013	
<b>Standard conformity</b>		
Galvanic isolation	EN 50020	
Degree of protection	IEC 60529	
Climatic conditions	DIN IEC 721	
Shock resistance	EN 60068-2-27	
Vibration resistance	EN 60068-2-6	
Ethernet	IEEE 802.3 , IEEE 802.3u	
<b>Ambient conditions</b>		
Ambient temperature	-20 ... 55 °C (-4 ... 131 °F)	
Storage temperature	-40 ... 85 °C (-40 ... 185 °F)	
Relative humidity	≤ 95 % non-condensing	
Shock resistance	15 g 11 ms	
Vibration resistance	1 g 10 ... 150 Hz	
Pollution degree	max. 2, according to IEC 60664	
<b>Mechanical specifications</b>		
Connection type	RJ45	
Core cross section	up to 2.5 mm <sup>2</sup>	
Housing material	Polyamide PA 66	
Degree of protection	IP20	
Mass	195 g	
Mounting	DIN rail mounting	
<b>Data for application in connection with hazardous areas</b>		
EU-type examination certificate	PTB 07 ATEX 2025 X	
Marking	Ⓢ II (1) G [Ex ia Ga] IIB , Ⓢ II (1) D [Ex ia Da] IIIC , Ⓢ II 3(1)G Ex nA [ia Ga] IIB T4 Gc Ⓢ II 3 (1D) G Ex nA [ia IIIC Da] IIB T4 Gc Ⓢ I (M1) [Ex ia Ma] I	
Supply		
Maximum safe voltage	U <sub>m</sub>	253 V AC
Directive conformity		
Directive 2014/34/EU	EN 60079-0:2012 , EN 60079-11:2012 , EN 60079-15:2010	
<b>International approvals</b>		
CSA approval	CSA 15.70016295	
Control drawing	116-B032	
Approved for	Class I, Zone 2, AEx/Ex nA [ia Ga] IIB T4 Gc Class I, Zone 2, AEx/Ex nA [ia Da IIIC] IIB T4 Gc	
IECEx approval	IECEx PTB 09.0053X	
Approved for	[Ex ia Ga] IIB [Ex ia Da] IIIC Ex nA [ia Ga] IIB T4 Gc Ex nA [ia IIIC Da] IIB T4 Gc [Ex ia Ma] I	

Technical Data

<b>Certificates and approvals</b>	
Patents	This product may be covered by the following patent: US7,687,791
<b>General information</b>	
Supplementary information	Observe the certificates, declarations of conformity, instruction manuals, and manuals where applicable. For information see <a href="http://www.pepperl-fuchs.com">www.pepperl-fuchs.com</a> .

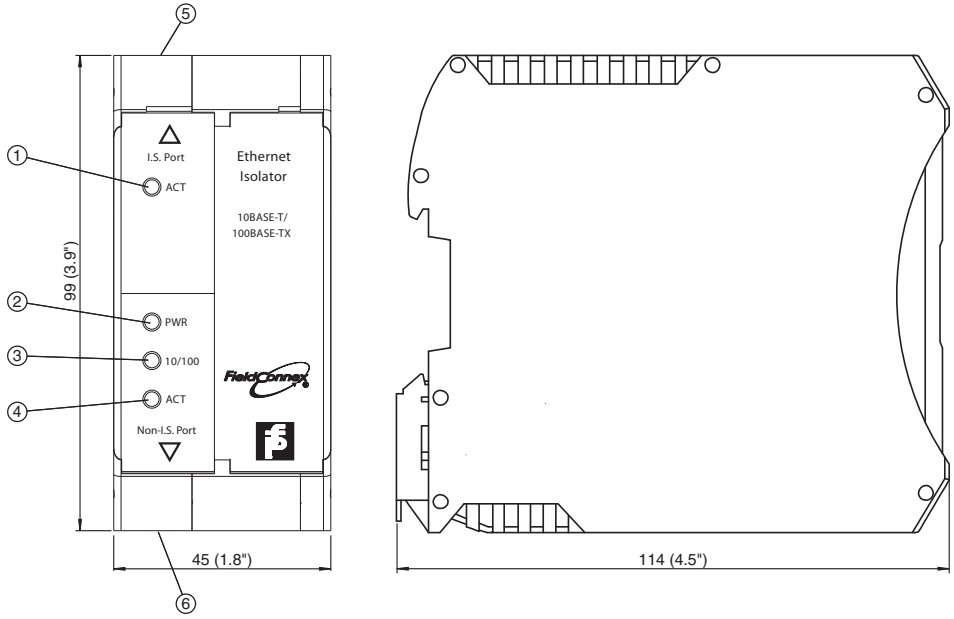
Assembly



Release date: 2024-09-20 Date of issue: 2024-09-20 Filename: 701131409\_eng.pdf

**Additional Information**

**Dimensions and Assembly**



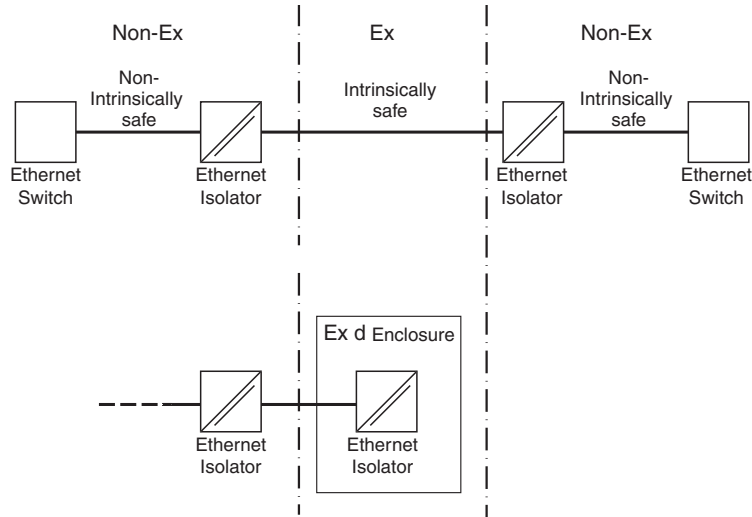
**Description:**

- 1 LED Communication active intrinsically safe port
- 2 LED Power
- 3 LED Transfer rate

- 4 LED Communication active non-intrinsically safe port
- 5 Intrinsically safe connector female
- 6 Non-Intrinsically safe connector female

**Installation**

**Examples**



Installation notes see manual.

**Ethernet Cable Overview for Interconnection**

The cross-table below gives a general idea which Ethernet cable has to be used for interconnection of two Ethernet Isolators or an Ethernet Isolator to another device.

	<b>Ethernet Isolator I.S.-port</b>	<b>Ethernet Isolator non-I.S.-port</b>
<b>Ethernet Isolator I.S.-port</b>	Crossover cable	not allowed
<b>Switched standard-port</b>	not allowed	Crossover cable
<b>Switch uplink-port</b>	not allowed	Standard patch cable
<b>Notebook</b>	not allowed	Standard patch cable
<b>Workstation</b>	not allowed	Standard patch cable

Release date: 2024-09-20 Date of issue: 2024-09-20 Filename: 70131409\_eng.pdf

<b>Device with auto-crossover functionality</b>	not allowed	Standard patch cable
---	-------------	----------------------