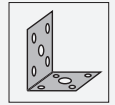




## Mounting bracket VOS-IL-MH02



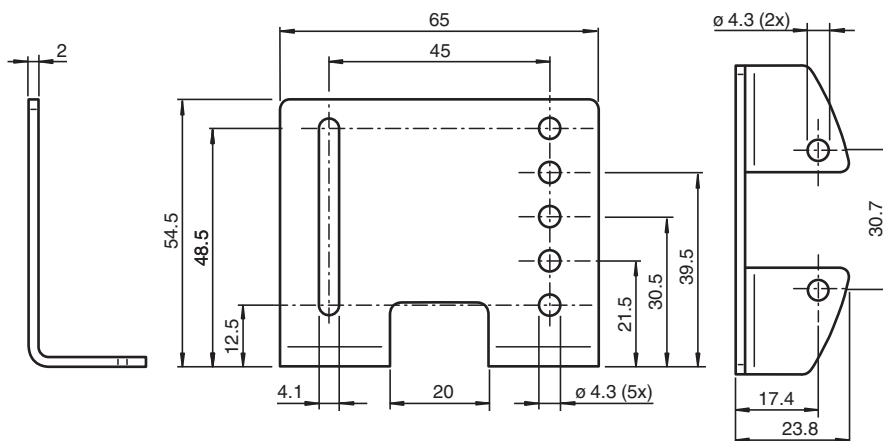
- Mounting bracket for attaching VOS ring lights to VOS5000 sensors
- Sets including 2 mounting brackets, screws and washers for mounting.

Mounting bracket for attaching VOS ring lights to VOS5000 sensors

### Function

Mounting brackets allow lighting systems to be mounted directly to the sensors or the plant environment. The mounting versions can be customized individually and expanded flexibly, meaning that precise adjustment of the lighting angle and operating distance is ensured overall.

### Dimensions



### Technical Data

#### Mechanical specifications

Material	Stainless steel
Mass	145 g
Mounting	Mounting accessories included