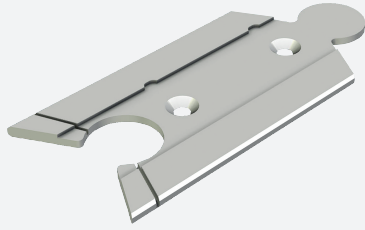


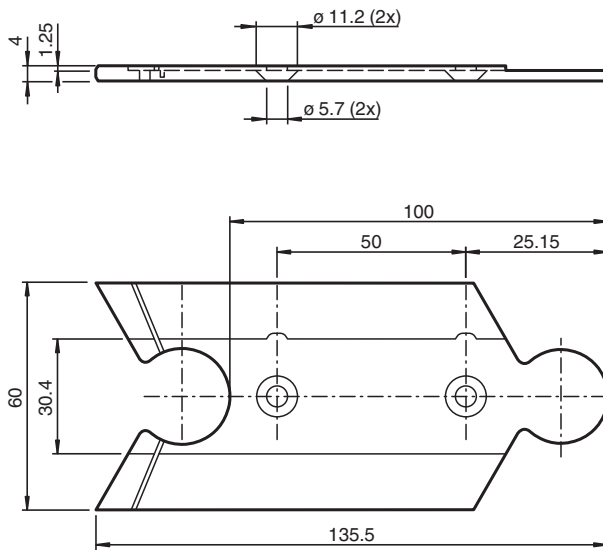
Countersunk profile rail PGV-PR-GM-CONT100



- Sturdy construction

Countersunk rail for realization of continuous tracks

Dimensions



Technical Data

General specifications

Length	135.5 mm
Width	60 mm

Ambient conditions

Operating temperature	-40 ... 80 °C (-40 ... 176 °F)
Installation temperature	10 ... 40 °C (50 ... 104 °F)

Mechanical specifications

Material thickness	4 mm
Material	AlMg4.5Mn0.7
Surface	ELOX-E0EV1-15

Release date: 2022-07-04 Date of issue: 2022-07-04 Filename: 70132448_eng.pdf





Technical Data

Mass	52 g
------	------

Mounting

Countersunk profile rails are embedded into a pre-milled groove in the floor. These are glued or screwed into the floor groove depending on the application. The milled floor groove is then grouted with suitable filler material. The groove for the countersunk profile rails must be protected against penetration of glue or filler material during installation. Once the filler material has dried out, the corresponding metal code bar is inserted into the countersunk profile rails via the self-adhesive rear side. If necessary, metal code bars that have been glued in can be replaced by levering them out.

Accessories

	PGV-PR-GM-END	Countersunk rail to end continuous tracks
	PGV-PR-GM-START	Countersunk rail for starting continuous tracks
	PGV-PR-GM-CONT200	Countersunk rail for realization of continuous tracks
	PGV-PR-GM-CONT500	Countersunk rail for realization of continuous tracks