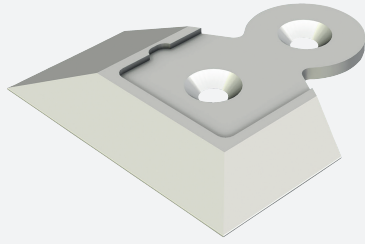


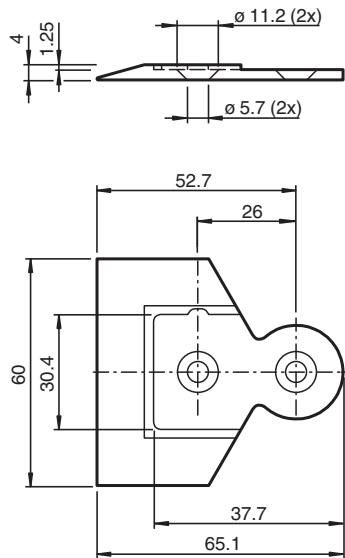
# Drive-over profile rail PGV-PR-SM-START



■ Sturdy construction

Drive-over rail for starting continuous tracks

## Dimensions



## Technical Data

### General specifications

Length	65.1 mm
Width	60 mm

### Ambient conditions

Operating temperature	-40 ... 80 °C (-40 ... 176 °F)
Installation temperature	10 ... 40 °C (50 ... 104 °F)

### Mechanical specifications

Material thickness	4 mm
Material	AlMg4.5Mn0.7
Surface	ELOX-E0EV1-15

Release date: 2022-07-04 Date of issue: 2022-07-04 Filename: 70132454\_eng.pdf

## Technical Data

Mass

18 g

## Mounting

Drive-over profile rails are screwed directly to the floor. Alternatively, the drive-over profile rails can be glued to the subfloor. The corresponding metal code bar is then inserted into the drive-over profile rails via the self-adhesive rear side. If necessary, metal code bars that have been glued in can be replaced by levering them out.