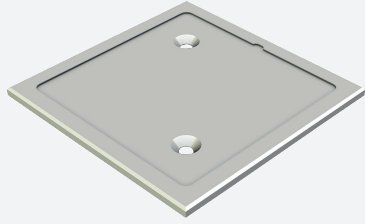


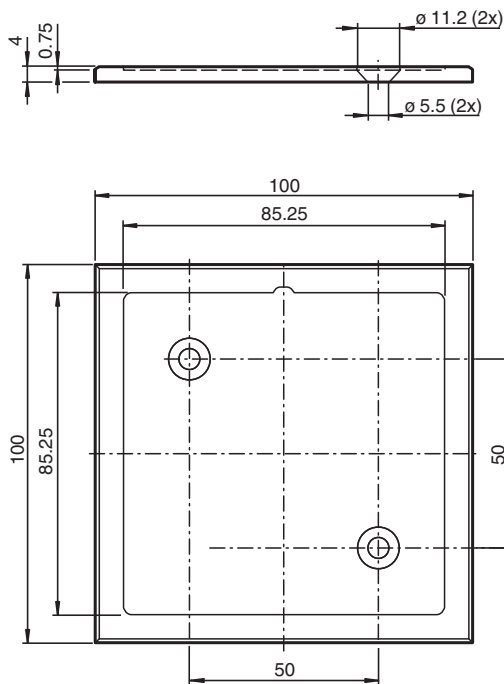
# Countersunk profile plate PGV-PP-GM-TAGM4x4



- Sturdy construction

Countersunk plate for mounting in a floor groove

## Dimensions



## Technical Data

### General specifications

Length	100 mm
Width	100 mm

### Ambient conditions

Operating temperature	-40 ... 80 °C (-40 ... 176 °F)
Installation temperature	10 ... 40 °C (50 ... 104 °F)

### Mechanical specifications


Material thickness	4 mm
Material	AlMg4.5Mn0.7
Surface	ELOX-E0EV1-15

## Technical Data

Mass	90 g
------	------

Countersunk profile plates are embedded into a pre-milled groove in the floor. These are glued or screwed into the floor groove depending on the application. The milled floor groove is then grouted with suitable filler material. The groove for the countersunk profile plates must be protected against penetration of glue or filler material during installation. Once the filler material has dried out, the corresponding metal control code bar is inserted into the countersunk profile rails via the self-adhesive rear side. If necessary, metal control code bars that have been glued in can be replaced by levering them out.

## Accessories

	<b>PGV-PR-GM-CONT100</b>	Countersunk rail for realization of continuous tracks
---	--------------------------	---