



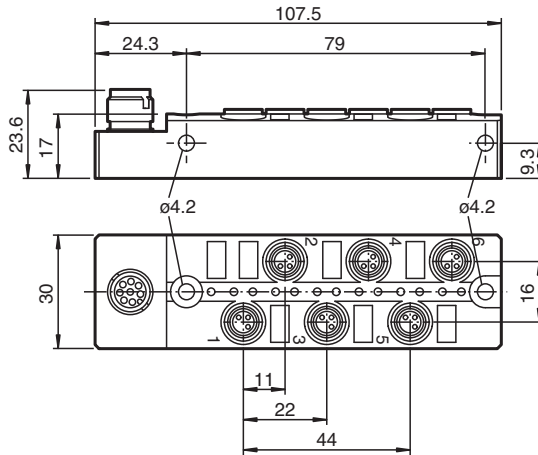
Splitter box M8 V3-6A-E2-V19

- Fast, flexible installation/separation
- LED indicator for module supply and I/O status
- Degree of protection IP67

Splitter box 6 x M8 single allocation, with 8-pole M12 plug



Dimensions



Technical Data

General specifications

Connector 1		
Connection		socket
Construction type		6x M8
Locking		screw connection
Number of pins		3
Coding		A-coded
Connector 2		
Connection		plug
Construction type		M12
Locking		screw connection
Number of pins		8
Coding		A-coded
UL File Number		E223772
Indicators/operating means		
LED green		supply voltage each module
LED yellow		I/O status indication

Release date: 2023-04-13 Date of issue: 2023-04-13 Filename: 70132539_eng.pdf

Technical Data

Electrical specifications

Operating voltage	U_B	24 V DC, max. 30 V DC
Operating current	I_B	≤ 5 mA per channel indication element
Current loading capacity		≤ 2 A per channel, ≤ 2 A per plug-in station, ≤ 2 A total current per splitter box

Conformity

Degree of protection		EN 60529
Plug connection		connector M8 x 1 : IEC 61076-2-104 connector M12 x 1 : IEC 61076-2-101
Flammability		UL 94

Ambient conditions

Ambient temperature		-25 ... 80 °C (-13 ... 176 °F)
---------------------	--	--------------------------------

Mechanical specifications

Connector 1		
Tightening torque		0.2 Nm
Mating cycles		min. 100
Connector 2		
Tightening torque		0.4 Nm
Mating cycles		min. 100
Degree of protection		IP67

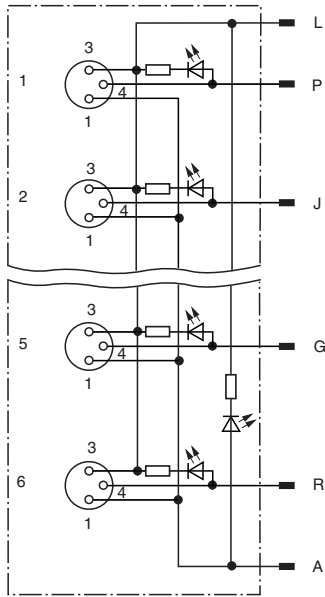
Material

Plug connector		
Screw connection		Cu alloy , nickel-plated
Body		PBT, black
Seal		FKM
Contact surface		Ni/Au
Flammability		V-0

General information

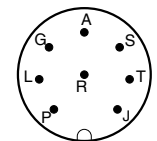
Note		During installation of cables respect the maximum allowed bending radius. Excessive bending forces endanger the degree of protection. Secure the connector from mechanical forces, for example by means of cable ties. Close unused plug-in slots prior to commissioning. Respective sealing elements you will find under "accessories".
------	--	--

Connection

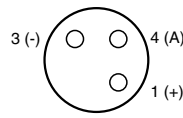


M12-connector -V19	M8-socket/pole
P	1/4 (A)
J	2/4 (A)
T	3/4 (A)
S	4/4 (A)
G	5/4 (A)
R	6/4 (A)
A	1 ... 6/1 (+24 V)
L	1 ... 6/3 (0 V)

Displays



M12-connector -V19



M8-socket

Accessories

	<p>VAZ-V3-B</p>	<p>Blind plug for M8 sockets</p>
--	------------------------	----------------------------------

Release date: 2023-04-13 Date of issue: 2023-04-13 Filename: 70132539_eng.pdf