



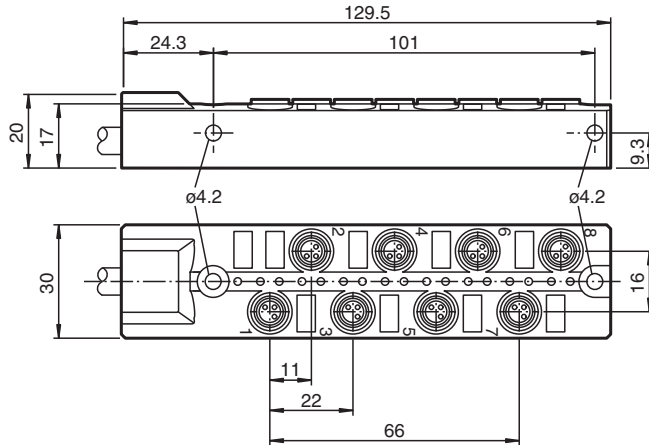
Splitter box M8 V3-8A-E2-5M-PUR

- Flat housing
- LED indicator for module supply and I/O status
- Degree of protection IP67
- Suitable for drag chains and abrasion resistant

Splitter box 8 x M8 single allocation, with trunk cable



Dimensions



Technical Data

General specifications

| | |
|-------------------|------------------|
| Connector 1 | |
| Connection | socket |
| Construction type | 8x M8 |
| Locking | screw connection |
| Number of pins | 3 |
| Coding | A-coded |
| Connector 2 | |
| Connection | cable end |
| UL File Number | E223772 |

Indicators/operating means

| | |
|------------|----------------------------|
| LED green | supply voltage each module |
| LED yellow | I/O status indication |

Electrical specifications

| | | |
|-------------------|-------|---------------------------------------|
| Operating voltage | U_B | 24 V DC, max. 30 V DC |
| Operating current | I_B | ≤ 5 mA per channel indication element |

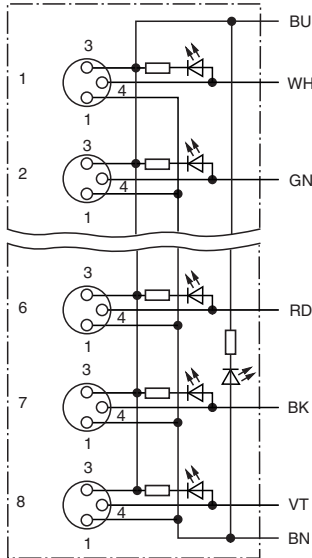
Technical Data

| | | |
|-----------------------------------|---|---|
| Current loading capacity | | ≤ 2 A per channel, ≤ 2 A per plug-in station, ≤ 6 A total current per splitter box |
| Conformity | | |
| Degree of protection | | EN 60529 |
| Plug connection | | connector M8 x 1 : IEC 61076-2-104 |
| Flammability | | UL 94 |
| Approvals and certificates | | |
| UL approval | | AWM STYLE 20549 (cable) |
| Ambient conditions | | |
| Ambient temperature | | |
| Plug connector | | -25 ... 80 °C (-13 ... 176 °F) |
| Cable, fixed | | -40 ... 90 °C (-40 ... 194 °F) |
| Cable, flexing | | -5 ... 80 °C (23 ... 176 °F) |
| Mechanical specifications | | |
| Plug connector | | |
| Tightening torque | | 0.2 Nm |
| Mating cycles | | min. 100 |
| Degree of protection | | IP67 |
| Cable | | |
| Sheath diameter | | 7.9 mm |
| Bending radius | | > 10 x cable diameter, moving > 7.5 x cable diameter, fixed |
| Sheath color | | black (similar to RAL 9005) |
| Cores | | Signal wires (4): 8 x 0.34 mm ² Supply line (1, 3): 2 x 0.75 mm ² |
| Cores color | | Core 1/4 (A): white Core 2/4 (A): green Core 3/4 (A): yellow Core 4/4 (A): grey Core 5/4 (A): pink Core 6/4 (A): red Core 7/4 (A): black Core 8/4 (A): violet Core 1 ... 8/1 (+24 V): brown Core 1 ... 8/3 (0 V): blue |
| Core construction | | Signal line (4): 19 x 0.15 mm Supply line (1, 3): 42 x 0.15 mm |
| Length | L | 5 m |
| Cable code | | Li YY 11Y-HF |
| Drag chain suitability | | |
| Drag chain cycles | | min. 1500000 |
| Motion velocity | | max. 2 m/s |
| Traverse distance | | 2 m |
| Material | | |
| PWIS free | | yes |
| Plug connector | | |
| Screw connection | | Cu alloy , nickel-plated |
| Body | | PBT, black |
| Seal | | FKM |
| Contact surface | | Ni/Au |
| Flammability | | V-0 |
| Cable | | |
| Sheathing | | PUR |
| Core insulation | | PVC |
| Chemical resistance | | good |
| General information | | |

Technical Data

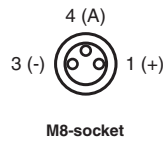
Note During installation of cables respect the maximum allowed bending radius. Excessive bending forces endanger the degree of protection. Secure the connector from mechanical forces, for example by means of cable ties. Close unused plug-in slots prior to commissioning. Respective sealing elements you will find under "accessories".

Connection



| Core colour | M8-socket/pole |
|-------------|-------------------|
| WH | 1/4 (A) |
| GN | 2/4 (A) |
| YE | 3/4 (A) |
| GY | 4/4 (A) |
| PK | 5/4 (A) |
| RD | 6/4 (A) |
| BK | 7/4 (A) |
| VT | 8/4 (A) |
| BN | 1 ... 8/1 (+24 V) |
| BU | 1 ... 8/3 (0 V) |

Displays



Accessories

| | | |
|--|-----------------|---------------------------|
| | VAZ-V3-B | Blind plug for M8 sockets |
|--|-----------------|---------------------------|

Release date: 2023-04-28 Date of issue: 2023-04-28 Filename: 70132542_eng.pdf