



RFID Transponder

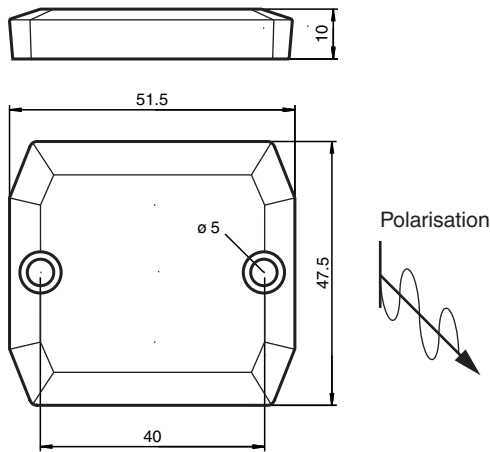
IUC77-F151-M-GBL 10pcs

- Operating frequency 865 ... 928 MHz
- Complies with EPC Gen2 (ISO/IEC 18000-63)
- Sturdy housing, suitable for rough industrial use

RFID Transponder



Dimensions



Technical Data

General specifications	
Operating frequency	865 ... 928 MHz
Polarization	linear
Memory	
Chip Type	Monza 4QT (Impinj)
Memory Bank 00 (Reserved)	64 Bit
Memory Bank 01 (EPC/UII)	128 Bit
Memory Bank 10 (TID)	96 Bit
Memory Bank 11 (User memory)	512 Bit
Read cycles	unlimited
Write cycles	> 100000
Data retention period	10 years
Directive conformity	
Radio equipment	
Directive 2014/53/EU	EN 302208
RoHS	
Directive 2011/65/EU (RoHS)	IEC/EN 63000

Release date: 2023-08-09 Date of issue: 2023-08-09 Filename: 70132829_eng.pdf

Technical Data

Standard conformity	
Degree of protection	EN 60529
RFID	ISO/IEC 18000-63
Ambient conditions	
Ambient temperature	-40 ... 85 °C (-40 ... 185 °F)
Storage temperature	-40 ... 85 °C (-40 ... 185 °F)
Mechanical specifications	
Housing length	47.5 mm
Housing width	51.5 mm
Housing height	10 mm
Degree of protection	IP68
Material	
Housing	Impact-resistant plastic material
Installation	
On metal	yes
Mass	22 g
Construction type	Rectangular type
Note	Packaging unit, 10-piece