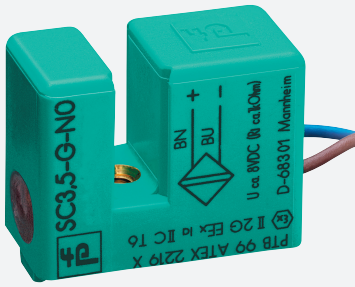


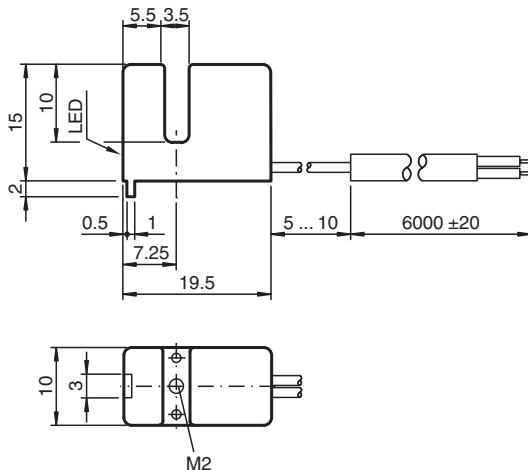
Inductive slot sensor SC3,5-G-N0-6M



■ 3.5 mm slot width



Dimensions



Technical Data

General specifications

Switching function	Normally closed (NC)
Output type	NAMUR
Slot width	3.5 mm
Depth of immersion (lateral)	5 ... 7 typ. 6 mm
Output type	2-wire

Nominal ratings

Nominal voltage	U_o	8.2 V (R_i approx. 1 k Ω)
Operating voltage	U_B	5 ... 25 V
Switching frequency	f	0 ... 3000 Hz
Hysteresis	H	0 ... 0.6 mm
Suitable for 2:1 technology		yes, Reverse polarity protection diode not required
Current consumption		
Measuring plate not detected		≥ 3 mA at nominal voltage
Measuring plate detected		≤ 1 mA at nominal voltage
Switching state indicator		LED, yellow

Compliance with standards and directives

Release date: 2025-06-13 Date of issue: 2025-06-18 Filename: 70132959_eng.pdf

Technical Data

Standard conformity		
NAMUR		EN 60947-5-6:2000 IEC 60947-5-6:1999
Electromagnetic compatibility		
Standards		NE 21:2007 EN IEC 60947-5-2
Approvals and certificates		
IECEX approval		
Equipment protection level Ga		IECEX PTB 11.0091X
Equipment protection level Gb		IECEX PTB 11.0091X
Equipment protection level Da		IECEX PTB 11.0091X
Equipment protection level Mb		IECEX PTB 11.0091X
ATEX approval		
Equipment protection level Ga		PTB 99 ATEX 2219 X
Equipment protection level Gb		PTB 99 ATEX 2219 X
Equipment protection level Da		PTB 99 ATEX 2219 X
UL approval		
Ordinary Location		E87056
Hazardous Location		E501628
Control drawing		116-0453
CCC approval		
Hazardous Location		2020322315002306
NEPSI approval		
NEPSI certificate		GYJ16.1391X
KCC approval		
Hazardous Location		13-AV4BO-0353X
Ambient conditions		
Ambient temperature		-25 ... 100 °C (-13 ... 212 °F)
Mechanical specifications		
Connection type		flexible leads
Housing material		PBT
Degree of protection		IP67
Cable		
Cable diameter		2.6 mm ± 0.2 mm
Bending radius		> 10 x cable diameter
Material		PVC
Core cross section		0.14 mm ²
Length	L	6 m
Dimensions		
Height		15 mm
Width		10 mm
Length		19.5 mm
General information		
Use in the hazardous area		see instruction manuals

Connection Assignment

