

# Inductive slot sensor

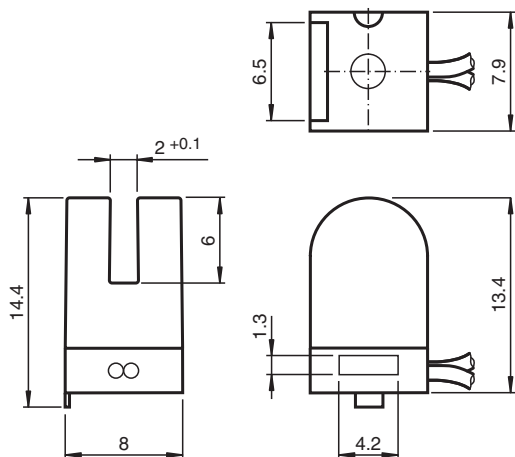
## SJ2-N-Y12815

■ Comfort series

ATEX version



### Dimensions



### Technical Data

#### General specifications

|                              |                      |
|------------------------------|----------------------|
| Switching function           | Normally closed (NC) |
| Output type                  | NAMUR                |
| Slot width                   | 2 mm                 |
| Depth of immersion (lateral) | 5 ... 7 typ. 6 mm    |
| Output type                  | 2-wire               |

#### Nominal ratings

|                              |       |                                      |
|------------------------------|-------|--------------------------------------|
| Nominal voltage              | $U_o$ | 8.2 V ( $R_i$ approx. 1 k $\Omega$ ) |
| Operating voltage            | $U_B$ | 5 ... 25 V                           |
| Switching frequency          | f     | 0 ... 5000 Hz                        |
| Current consumption          |       |                                      |
| Measuring plate not detected |       | $\geq 3$ mA at nominal voltage       |
| Measuring plate detected     |       | $\leq 1$ mA at nominal voltage       |

#### Compliance with standards and directives

|                     |  |   |
|---------------------|--|---|
| Standard conformity |  |   |
| NAMUR               |  | EN 60947-5-6:2000<br>IEC 60947-5-6:1999 |

Release date: 2024-05-27 Date of issue: 2024-05-31 Filename: 70132974\_eng.pdf

## Technical Data

|                                   |   |                                 |
|-----------------------------------|---|---------------------------------|
| Standards                         |   | EN IEC 60947-5-2                |
| <b>Approvals and certificates</b> |   |                                 |
| IECEX approval                    |   |                                 |
| Equipment protection level Ga     |   | IECEX PTB 11.0091X              |
| Equipment protection level Gb     |   | IECEX PTB 11.0091X              |
| Equipment protection level Da     |   | IECEX PTB 11.0091X              |
| Equipment protection level Mb     |   | IECEX PTB 11.0091X              |
| ATEX approval                     |   |                                 |
| Equipment protection level Ga     |   | PTB 99 ATEX 2219 X              |
| Equipment protection level Gb     |   | PTB 99 ATEX 2219 X              |
| Equipment protection level Da     |   | PTB 99 ATEX 2219 X              |
| UL approval                       |   |                                 |
| Ordinary Location                 |   | E87056                          |
| Hazardous Location                |   | E501628                         |
| Control drawing                   |   | 116-0453                        |
| KCC approval                      |   |                                 |
| Hazardous Location                |   | 13-AV4BO-0353X                  |
| <b>Ambient conditions</b>         |   |                                 |
| Ambient temperature               |   | -25 ... 100 °C (-13 ... 212 °F) |
| <b>Mechanical specifications</b>  |   |                                 |
| Connection type                   |   | flexible leads LIFYW            |
| Housing material                  |   | PBT                             |
| Degree of protection              |   | IP67                            |
| Cable                             |   |                                 |
| Cable diameter                    |   | 0.75 mm ± 0.15 mm               |
| Bending radius                    |   | > 10 x cable diameter           |
| Material                          |   | PVC                             |
| Core cross section                |   | 0.06 mm <sup>2</sup>            |
| Length                            | L | 500 mm                          |
| Dimensions                        |   |                                 |
| Height                            |   | 12 mm                           |
| Width                             |   | 8 mm                            |
| Length                            |   | 8 mm                            |
| <b>General information</b>        |   |                                 |
| Use in the hazardous area         |   | see instruction manuals         |

## Connection

