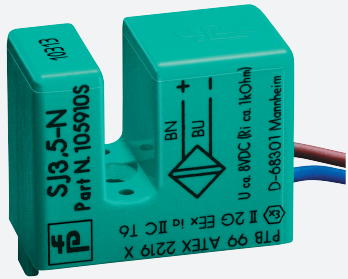


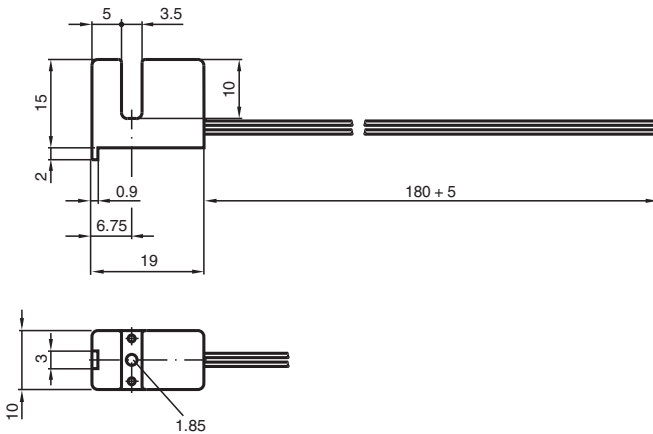
Inductive slot sensor

SJ3,5-N-Y33714

■ 3.5 mm slot width



Dimensions



Technical Data

General specifications

Switching function	Normally closed (NC)
Output type	NAMUR
Slot width	3.5 mm
Depth of immersion (lateral)	5 ... 7 typ. 6 mm
Output type	2-wire

Nominal ratings

Nominal voltage	U_o	8.2 V (R_i approx. 1 k Ω)
Operating voltage	U_B	5 ... 25 V
Switching frequency	f	0 ... 3000 Hz
Hysteresis	H	0.41 ... 0.6 mm
Suitable for 2:1 technology		yes , Reverse polarity protection diode not required
Current consumption		
Measuring plate not detected		≥ 3 mA at nominal voltage
Measuring plate detected		≤ 1 mA at nominal voltage

Functional safety related parameters

MTTF _d	13520 a
-------------------	---------

Release date: 2025-06-13 Date of issue: 2025-06-18 Filename: 70132994_eng.pdf

Technical Data

Mission Time (T _M)	20 a
Diagnostic Coverage (DC)	0 %
Compliance with standards and directives	
Standard conformity	
NAMUR	EN 60947-5-6:2000 IEC 60947-5-6:1999
Standards	EN IEC 60947-5-2
Approvals and certificates	
IECEX approval	
Equipment protection level Gb	IECEX PTB 11.0091X
Equipment protection level Da	IECEX PTB 11.0091X
Equipment protection level Mb	IECEX PTB 11.0091X
ATEX approval	
Equipment protection level Gb	PTB 99 ATEX 2219 X
Equipment protection level Da	PTB 99 ATEX 2219 X
UL approval	cULus Listed, General Purpose
CCC approval	
Hazardous Location	2020322315002306
NEPSI approval	
NEPSI certificate	GYJ16.1391X
Ambient conditions	
Ambient temperature	-25 ... 100 °C (-13 ... 212 °F)
Mechanical specifications	
Connection type	flexible leads LiY
Housing material	PBT
Degree of protection	IP67
Cable	
Cable diameter	1.1 mm ± 0.1 mm
Bending radius	> 10 x cable diameter
Material	PVC
Core cross section	0.14 mm ²
Length	L 180 mm
Dimensions	
Height	15 mm
Width	10 mm
Length	19.5 mm
General information	
Use in the hazardous area	see instruction manuals

Connection Assignment

