

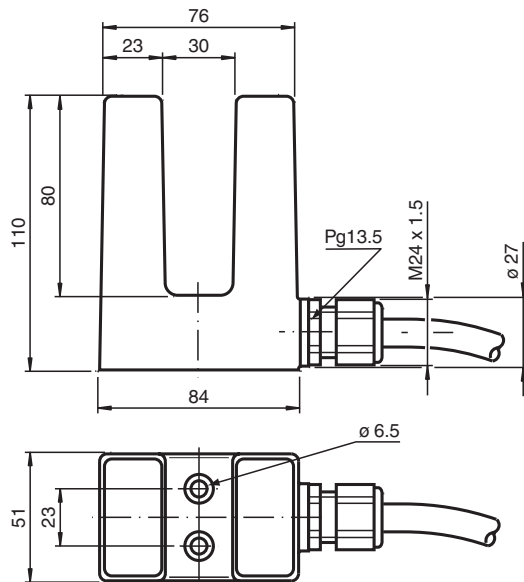
Inductive slot sensor

SJ30-N

■ 30 mm slot width



Dimensions



Technical Data

General specifications

| | |
|------------------------------|----------------------|
| Switching function | Normally closed (NC) |
| Output type | NAMUR |
| Slot width | 30 mm |
| Depth of immersion (lateral) | 27 ... 30 mm |
| Output type | 2-wire |

Nominal ratings

| | | |
|---------------------|-------|--------------------------------------|
| Nominal voltage | U_o | 8.2 V (R_i approx. 1 k Ω) |
| Operating voltage | U_B | 5 ... 25 V |
| Switching frequency | f | 0 ... 150 Hz |

Release date: 2025-06-13 Date of issue: 2025-06-18 Filename: 70132998_eng.pdf

Technical Data

| | | |
|---|---|---|
| Hysteresis | H | 0.1 ... 0.3 mm |
| Current consumption | | |
| Measuring plate not detected | | ≥ 3 mA at nominal voltage |
| Measuring plate detected | | ≤ 1 mA at nominal voltage |
| Functional safety related parameters | | |
| MTTF _d | | 5270 a |
| Mission Time (T _M) | | 20 a |
| Diagnostic Coverage (DC) | | 0 % |
| Compliance with standards and directives | | |
| Standard conformity | | |
| NAMUR | | EN 60947-5-6:2000 IEC 60947-5-6:1999 |
| Standards | | EN IEC 60947-5-2 |
| Approvals and certificates | | |
| IECEX approval | | |
| Equipment protection level Ga | | IECEX PTB 11.0091X |
| Equipment protection level Gb | | IECEX PTB 11.0091X |
| Equipment protection level Da | | IECEX PTB 11.0091X |
| Equipment protection level Mb | | IECEX PTB 11.0091X |
| ATEX approval | | |
| Equipment protection level Ga | | PTB 99 ATEX 2219 X |
| Equipment protection level Gb | | PTB 99 ATEX 2219 X |
| Equipment protection level Da | | PTB 99 ATEX 2219 X |
| UL approval | | |
| Ordinary Location | | E87056 |
| Hazardous Location | | E501628 |
| Control drawing | | 116-0453 |
| CCC approval | | |
| Hazardous Location | | 2020322315002307 |
| NEPSI approval | | |
| NEPSI certificate | | GYJ16.1391X |
| Ambient conditions | | |
| Ambient temperature | | -25 ... 70 °C (-13 ... 158 °F) |
| Mechanical specifications | | |
| Connection type | | cable |
| Housing material | | ABS |
| Degree of protection | | IP67 |
| Cable | | |
| Cable diameter | | 6 mm ± 0.2 mm |
| Bending radius | | > 10 x cable diameter |
| Material | | PVC |
| Core cross section | | 0.75 mm ² |
| Length | L | 2 m |
| Mass | | 450 g |
| Dimensions | | |
| Height | | 110 mm |
| Width | | 51 mm |
| Length | | 84 mm |
| General information | | |
| Use in the hazardous area | | see instruction manuals |

Connection Assignment



Release date: 2025-06-13 Date of issue: 2025-06-18 Filename: 70132998_eng.pdf