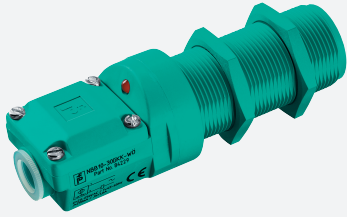


# Inductive sensor

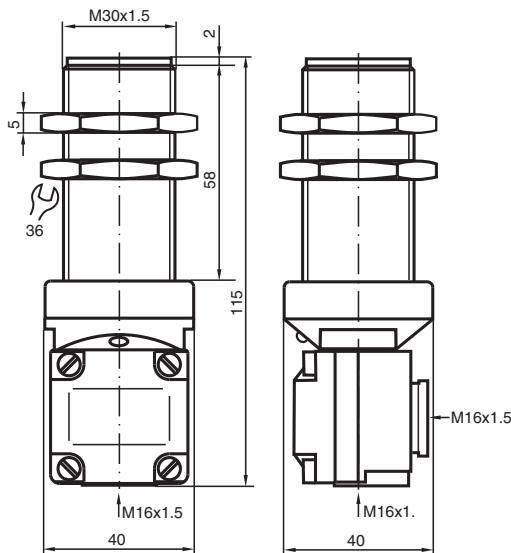
## NJ15-30GKK-N



- 15 mm non-flush
- Usable up to SIL 2 acc. to IEC 61508
- NAMUR output



### Dimensions



### Technical Data

#### General specifications

Switching function		Normally closed (NC)
Output type		NAMUR
Rated operating distance	$s_n$	15 mm
Installation		non-flush
Assured operating distance	$s_a$	0 ... 12.15 mm
Reduction factor $r_{AI}$		0.4
Reduction factor $r_{Cu}$		0.3
Reduction factor $r_{304}$		0.85
Output type		2-wire

#### Nominal ratings

Nominal voltage	$U_o$	8.2 V ( $R_i$ approx. 1 k $\Omega$ )
Switching frequency	$f$	0 ... 100 Hz
Current consumption		

Release date: 2025-06-13 Date of issue: 2025-06-17 Filename: 70133073\_eng.pdf

## Technical Data

Measuring plate not detected	min. 3 mA
Measuring plate detected	≤ 1 mA
<b>Functional safety related parameters</b>	
Safety Integrity Level (SIL)	SIL 2
MTTF <sub>d</sub>	5070 a
Mission Time (T <sub>M</sub> )	20 a
Diagnostic Coverage (DC)	0 %
<b>Compliance with standards and directives</b>	
Standard conformity	
NAMUR	EN 60947-5-6:2000 IEC 60947-5-6:1999
Standards	EN IEC 60947-5-2
<b>Approvals and certificates</b>	
IECEX approval	
Equipment protection level Gb	IECEX PTB 11.0037X
Equipment protection level Da	IECEX PTB 11.0037X
Equipment protection level Mb	IECEX PTB 11.0037X
ATEX approval	
Equipment protection level Gb	PTB 00 ATEX 2048 X
Equipment protection level Da	PTB 00 ATEX 2048 X
UL approval	cULus Listed, General Purpose
CCC approval	
Hazardous Location	2020322315002255
CML approval	on request
ANZEx	18.3018X
KCC approval	
Hazardous Location	19-AV4BO-0227
<b>Ambient conditions</b>	
Ambient temperature	-25 ... 100 °C (-13 ... 212 °F)
<b>Mechanical specifications</b>	
Connection type	terminal compartment
Core cross section	up to 2.5 mm <sup>2</sup> , stripped insulation length: 7 mm
Connection (system side)	M16 x 1.5 cable gland at sensor tail and laterally , usable thread length at sensor tail 5.5 mm/laterally 7.5 mm
Housing material	PBT
Sensing face	PBT
Degree of protection	IP67
<b>Dimensions</b>	
Length	115 mm
Diameter	30 mm
<b>General information</b>	
Scope of delivery	Supplied with 2 nuts
Use in the hazardous area	see instruction manuals

## Connection Assignment

