

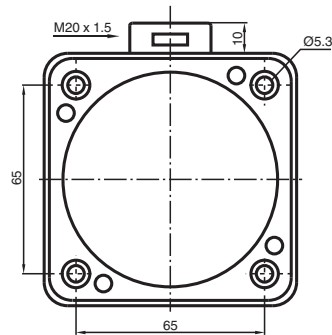
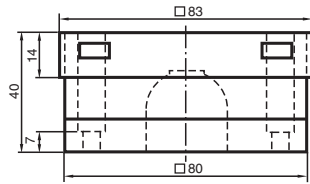
# Inductive sensor

## NJ40-FP-SN-B1-P1-Y024207

■ 40 mm flush



### Dimensions



### Technical Data

#### General specifications

Switching function		Normally closed (NC)
Output type		NAMUR with safety function
Rated operating distance	$s_n$	40 mm
Installation		flush
Assured operating distance	$s_a$	0 ... 32.4 mm
Reduction factor $r_{AI}$		0.4
Reduction factor $r_{Cu}$		0.3
Reduction factor $r_{304}$		0.85
Output type		2-wire

#### Nominal ratings

Nominal voltage	$U_o$	8.2 V ( $R_f$ approx. 1 k $\Omega$ )
Switching frequency	$f$	0 ... 100 Hz
Current consumption		
Measuring plate not detected		min. 3 mA
Measuring plate detected		$\leq 1$ mA

#### Compliance with standards and directives

Standard conformity		
NAMUR		EN 60947-5-6:2000 IEC 60947-5-6:1999
Standards		EN IEC 60947-5-2

Release date: 2024-05-28 Date of issue: 2024-06-02 Filename: 70133169\_eng.pdf

## Technical Data

### Approvals and certificates

#### IECEX approval

Equipment protection level Gb	IECEX PTB 11.0092X
Equipment protection level Da	IECEX PTB 11.0092X
Equipment protection level Mb	IECEX PTB 11.0092X

#### ATEX approval

Equipment protection level Gb	PTB 00 ATEX 2049 X
Equipment protection level Da	PTB 00 ATEX 2049 X

#### UL approval

cULus Listed, General Purpose

### Ambient conditions

Ambient temperature	-40 ... 100 °C (-40 ... 212 °F)
---------------------	---------------------------------

### Mechanical specifications

Connection type	screw terminals
Core cross section	up to 2.5 mm <sup>2</sup> , stripped insulation length: 7 mm
Connection (system side)	screw terminals, M20 x 1.5 cable gland, usable thread length 10 mm, screw-in depth max. 10 mm
Housing material	PBT
Sensing face	PBT
Degree of protection	IP68
Dimensions	
Height	40 mm
Width	84 mm
Length	84 mm

### General information

Use in the hazardous area	see instruction manuals
---------------------------	-------------------------

## Connection

SN

